

AF0-xxxT Series RF Amplifier



2321

The AF0-xxxT series are a range of general purpose 4W amplifiers designed to operate with Isomet AO devices. These are ideal for use with the low power frequency sources such as the Isomet IMS synthesizers. The maximum output level is adjustable and pre-set using the multi-turn PWR ADJ potentiometer. Efficient heat transfer from the driver is required. Mounting the base to an external heat sink.

SPECIFICATIONS

Input / Load impedance:	50Ω nominal
RF Input Level:	3dBm maximum, 0dBm typical
Harmonics at 3W:	< 25dBc
RF Gain:	> 35dB, adjustable
Flatness, (0dBm input)	Better than +/- 1dB across bandwidth
Output rise/fall time	< 20nsec
DC Power Input:	+18V to +28Vdc regulated to ± 1%, < 00mA .
Temperature Range:	0°C to 60°C ambient. Temperature at mounting face must not exceed 70°C.
Mounting Orientation:	Any Ensure driver is mounted on a suitable heatsink.

MODELS

Model	3dB Bandwidth	RF Power (24Vdc)
AF0-30T-1-4	20 - 40MHz	>4W
AF0-50T-1-4	40 - 60MHz	>4W
AF0-80T-1-4	50 - 90MHz	>4W
AF0-85T-1-4	60 - 110MHz	>4W
AF0-100T-1-4	65 - 135MHz	>4W
AF0-150T-1-3	100 - 200MHz	>3W
AF0-200T-1-3	125 - 275MHz	>3W
AF0-250T-1-3	175 - 325MHz	>3W

ALL SPECIFICATIONS SUBJECT TO CHANGE WITHOUT NOTICE
 ISOMET CORP, 10342 Battlevue Parkway, Manassas, VA 20109, USA.
 Tel: (703) 321 8301 Fax: (703) 321 8546
 E-mail: ISOMET@ISOMET.COM Web Page: WWW.ISOMET.COM

Quality Assured.
In-house: RF & Digital design
Software Development
OEM manufacture



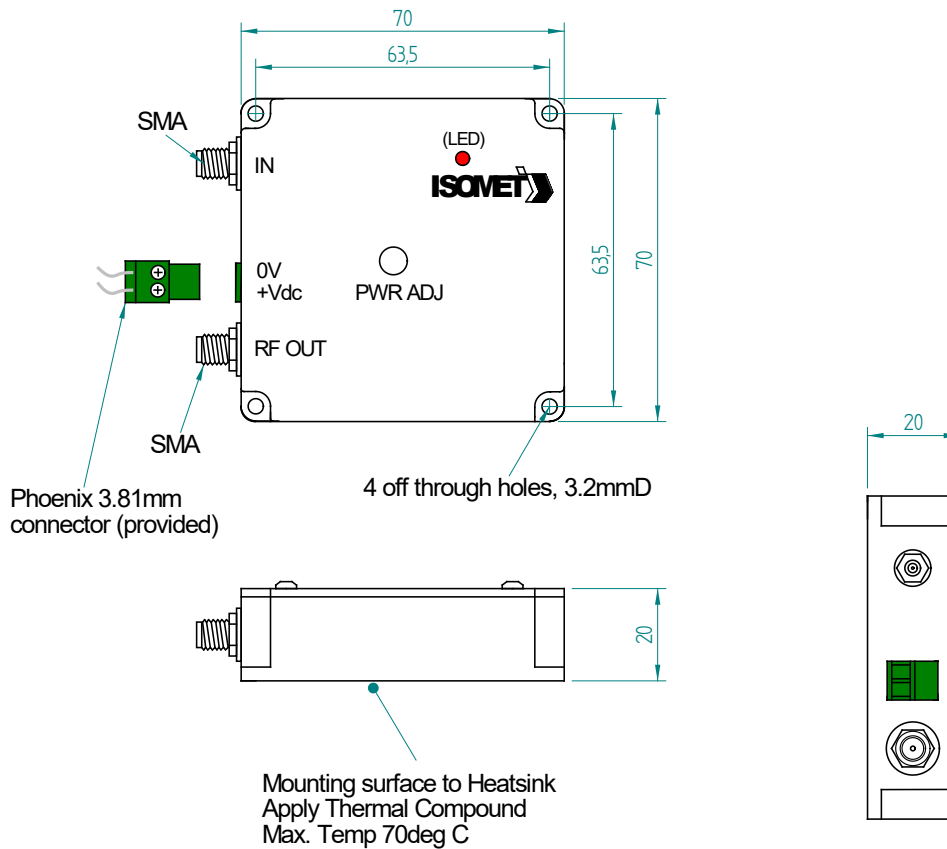
AF0-xxxT Series RF Amplifier



2321

OUTLINE DRAWING

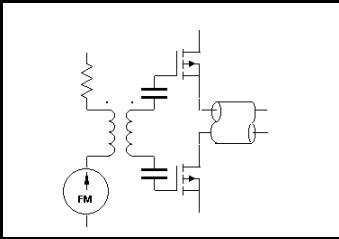
Dimensions: mm



Cont'd

ALL SPECIFICATIONS SUBJECT TO CHANGE WITHOUT NOTICE
 ISOMET CORP, 10342 Battleview Parkway, Manassas, VA 20109, USA.
 Tel: (703) 321 8301 Fax: (703) 321 8546
 E-mail: ISOMET@ISOMET.COM Web Page: WWW.ISOMET.COM

Quality Assured.
 In-house: RF & Digital design
 Software Development
 OEM manufacture



AF0-xxxT Series RF Amplifier



2321

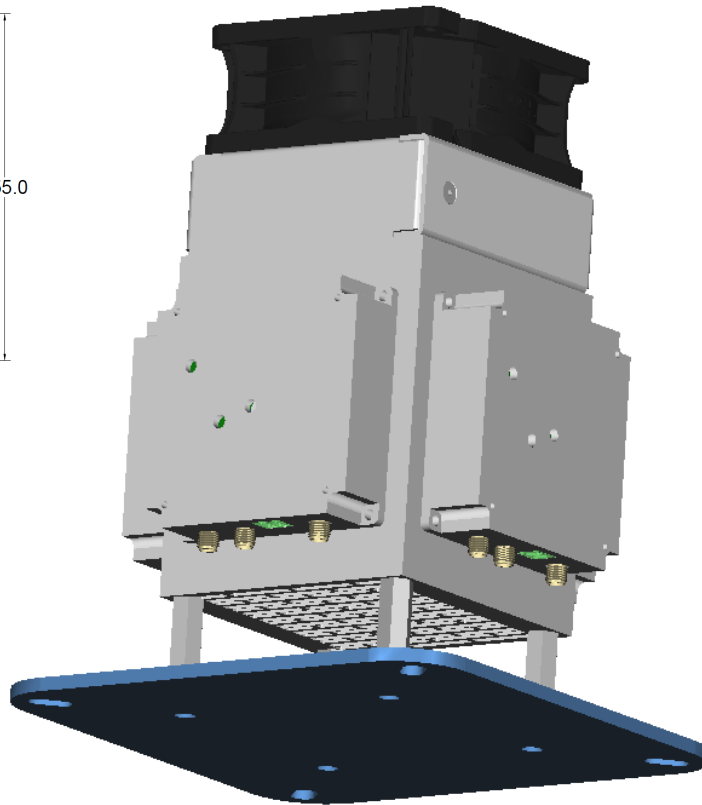
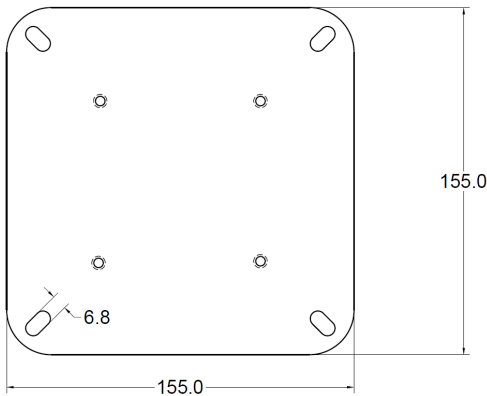
Accessories: **AFM-FC, Fan assisted air cooled heatsink cube**
AFM-CC, Convection air cooled heatsink cube

Up to four amplifiers pre-mounted on a fan assisted air-cooled heatsink and pre-wired for a common DC input. Amplifiers may be mounted at any orientation (shown here connectors down)
This mounting option is ideal when used with the quad output IMS4-L or -P synthesizers.
Any combination of amplifiers listed above may be chosen.

Order as separate item: AFM-FC (recommended) or AFM-CC
e.g. 4 off AF0-85T-1-4 and 1 off AFM-FC

Outline Specs

Overall Height: ~200mm.
Mounting slot width: 7mm
Mounting slots to suit 5" or 125mm pitch hole spacing.



ALL SPECIFICATIONS SUBJECT TO CHANGE WITHOUT NOTICE
ISOMET CORP, 10342 Battleview Parkway, Manassas, VA 20109, USA.
Tel: (703) 321 8301 Fax: (703) 321 8546
E-mail: ISOMET@ISOMET.COM Web Page: WWW.ISOMET.COM

Quality Assured.
In-house: RF & Digital design
Software Development
OEM manufacture