

RFA1150

RF Power Amplifier



1004

The Model RFA1150 amplifier is a class A solid-state unit designed to drive various Acousto-Optic devices manufactured by Isomet with up to 50W of power in the 30 to 95MHz frequency band. The amplifier, supplied as a module and requiring +24V regulated power supply for operation, exhibits a nominal gain of 57dB.

Specifications :

Power out :	50 Watts CW into 50 Ω
Frequency response :	50 - 90 MHz
Flatness:	+/- 1dB
Gain:	57dB nominal
Input impedance:	50 Ω Nominal
Output impedance :	50 Ω Nominal
Input VSWR:	< 2.0:1
Harmonic Distortion :	> 20 dB below fundamental at 40W output > 15 dB below fundamental at 50W output
Power Supply Requirement (DC):	6A at +24V nominal; +24VDC fused at 7A
Power Consumption:	144W Nominal
Mismatch Tolerance:	Amplifier will not oscillate with any condition of load or source VSWR
Case Temperature :	Maximum Allowable 46° C Minimum Allowable 0° C
Water Cooling :	Maintain water flow at > 1liter/min at <25° C

ALL SPECIFICATIONS SUBJECT TO CHANGE WITHOUT NOTICE

ISOMET CORP, 5263 Port Royal Rd, Springfield, VA 22151, USA.

Tel: (703) 321 8301 Fax: (703) 321 8546

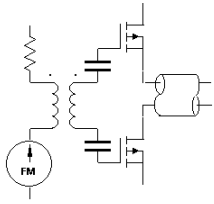
E-mail: ISOMET@ISOMET.COM Web Page: WWW.ISOMET.COM

Quality Assured.

In-house: RF & Digital design

Software Development

OEM manufacture



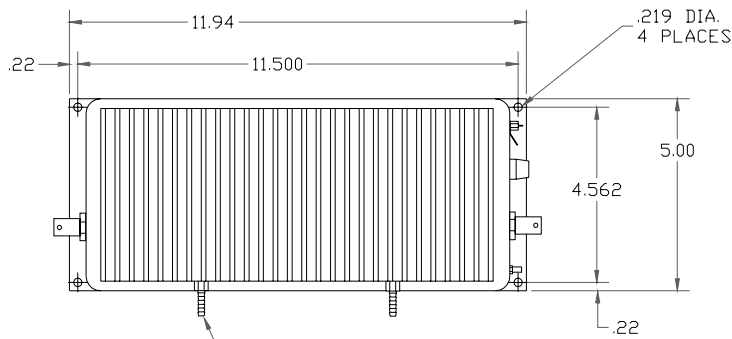
RFA1150

RF Power Amplifier

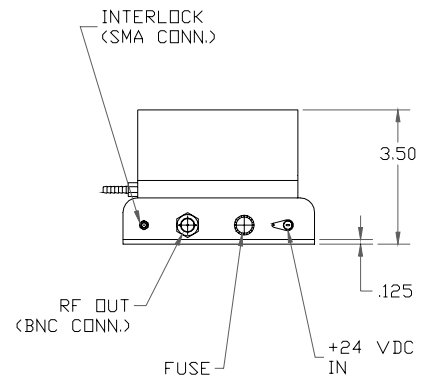
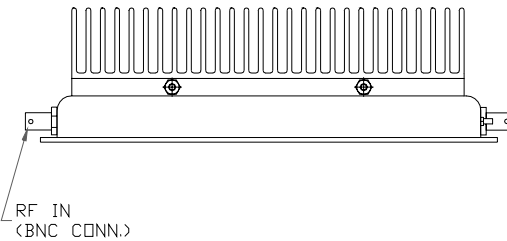


1004

OUTLINE DRAWING



TUBE FITTING
(USE WITH 1/4" I.D.
NYLON HOSE, 2 PLACES)



ALL SPECIFICATIONS SUBJECT TO CHANGE WITHOUT NOTICE

ISOMET CORP, 5263 Port Royal Rd, Springfield, VA 22151, USA.

Tel: (703) 321 8301 Fax: (703) 321 8546

E-mail: ISOMET@ISOMET.COM Web Page: WWW.ISOMET.COM

Quality Assured.

In-house: RF & Digital design

Software Development

OEM manufacture