

# IA100-3-826

## RF AMPLIFIER

(WITH MODULATION)



902

The IA-100-3-826 provides a convenient means of amplifying and RF modulating external low level frequency sources, enabling these to drive a range of Isomet Acousto optic devices. It is particularly suited to Isomet's VCO200A oven stabilised high linearity voltage controlled oscillator. With a maximum output power of 1.1W, the IA100-3-826 is directly compatible with Isomet AO modulators and deflectors such as 1205C, 1206C, 1250C, LS55V and OAD-948.

A video input port is provided to allow for example, blanking of the RF during line scan retrace, or digital modulation. Alternatively, the intensity of the diffracted first order beam may be controlled by varying the video input voltage over a 0 to +5 Volt range.

### SPECIFICATIONS

RF Input/Output Impedance:	50 Ohms Nominal
RF Input Level:	-6.0 dBm (Maximum)
RF Frequency Range:	30-150 MHz
Gain:	38 dB (Adjustable)
Maximum Output Power	>1.0W
Modulation (Video) Input:	5.0 Volts (Maximum)
DC Power Input:	+28.0 Vdc @ 400 mA
Temperature Range:	0 °C to +50 °C Ambient
Mounting Orientation:	Any
Dimensions:	See Outline (Reverse Side)

#### ALL SPECIFICATIONS SUBJECT TO CHANGE WITHOUT NOTICE

ISOMET CORP, 5263 Port Royal Rd, Springfield, VA 22151, USA.

Tel: (703) 321 8301 Fax: (703) 321 8546

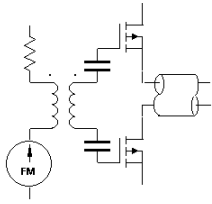
E-mail: [ISOMET@ISOMET.COM](mailto:ISOMET@ISOMET.COM) Web Page: [WWW.ISOMET.COM](http://WWW.ISOMET.COM)

Quality Assured.

In-house: RF & Digital design

Software Development

OEM manufacture



# IA100-3-826

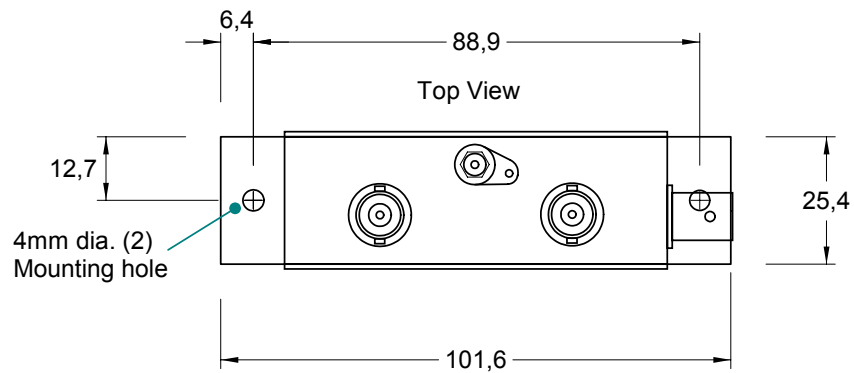
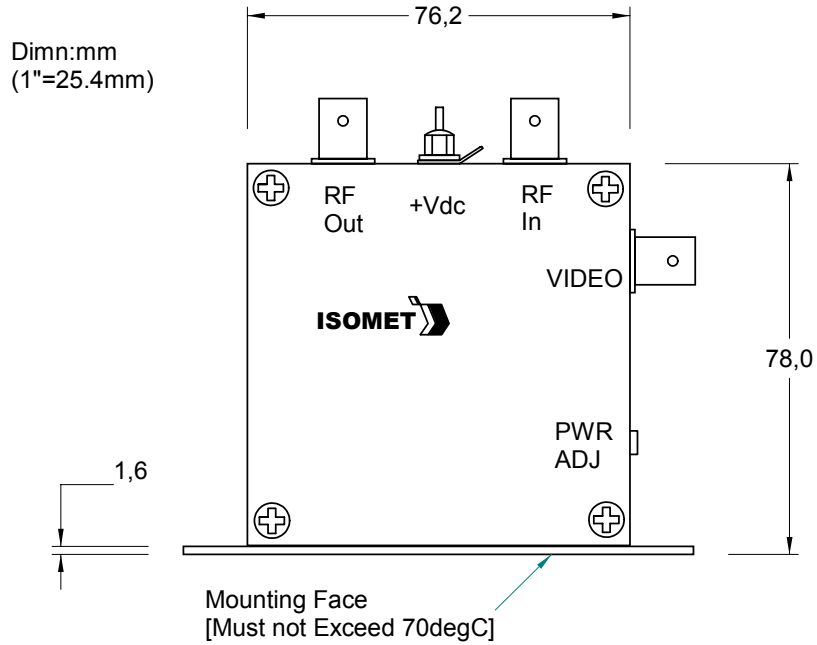
## RF AMPLIFIER

(WITH MODULATION)



902

### OUTLINE DRAWING



**ALL SPECIFICATIONS SUBJECT TO CHANGE WITHOUT NOTICE**

ISOMET CORP, 5263 Port Royal Rd, Springfield, VA 22151, USA.

Tel: (703) 321 8301 Fax: (703) 321 8546

E-mail: [ISOMET@ISOMET.COM](mailto:ISOMET@ISOMET.COM) Web Page: [WWW.ISOMET.COM](http://WWW.ISOMET.COM)

**Quality Assured.**

**In-house: RF & Digital design**

**Software Development**

**OEM manufacture**