

762C-x Series

RF Driver (Preliminary Data)



0108

The 762C series are low cost 80MHz Q-switch drivers with integral pulse width control.

Once DC power is applied, the RF power is active and output continuously. The RF can be modulated 'Off' for a period defined by an internal monostable. It is triggered on the falling edge of the Modulation Input. The pulse width can be specified by the user and is preset at manufacture. Field adjustment is possible.

Contained in these Drivers is a crystal oscillator, monostable, mixer, and RF power amplifier stage.

Efficient heat transfer from the driver is required. The mounting base must be attached to an external heat sink not exceeding a temperature of 70°C.

SPECIFICATIONS

Output impedance:	50Ω Nominal
Load Mismatch VSWR:	2:1 Max
RF On-Off Ratio:	>40dB
Frequency:	80.00MHz
Frequency Accuracy:	± 0.003%
Frequency Stability:	± 0.003%
Modulation Input:	TTL compatible, trigger on falling edge (Maximum voltage 5.5V)
Pulse width, RF Off:	Preset 2usec (Full range 0.2 – 10usec)
On:Off Extinction ratio:	40dB minimum
DC Power Input:	
762C-L	+15Vdc regulated to ± 1%, < 400mA
762C-4	+24/+28Vdc regulated to ± 1%, < 500mA
Temperature Range:	0°C to 60°C ambient, temperature at mounting face must not exceed 60°C.
Mounting Orientation:	Any
Dimensions:	See Outline, reverse side.

PERFORMANCE

Model	Centre Frequency	Minimum Rise Time	RF Drive Power	Supply
722C-L	80MHz	<10nsec	>1.7 W	+15V
722C-4	80MHz	<10nsec	>3.5 W	+24V

ALL SPECIFICATIONS SUBJECT TO CHANGE WITHOUT NOTICE

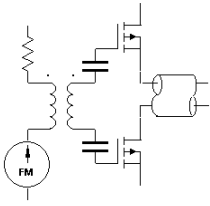
ISOMET CORP, 5263 Port Royal Rd, Springfield, VA 22151, USA.

Tel: (703) 321 8301 Fax: (703) 321 8546

E-mail: ISOMET@ISOMET.COM Web Page: WWW.ISOMET.COM

Quality Assured.

**In-house: RF & Digital design
Software Development
OEM manufacture**



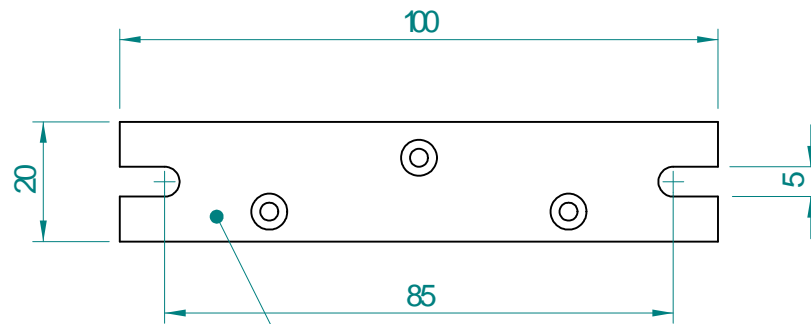
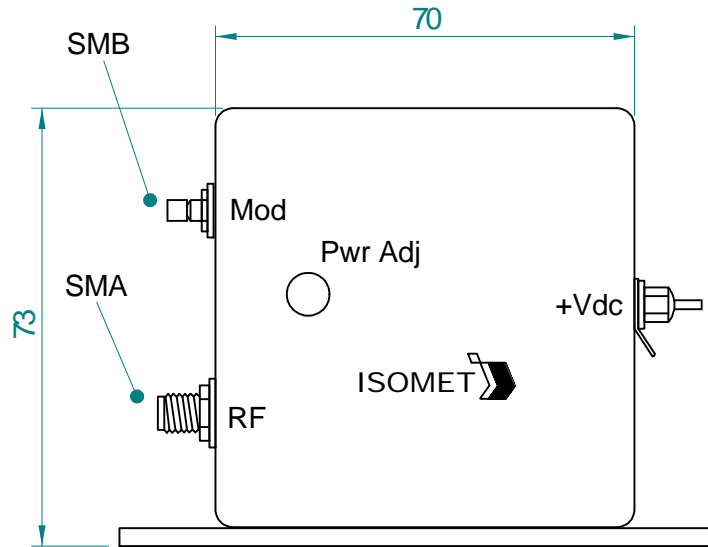
762C-x Series

RF Driver
(Preliminary Data)



0108

OUTLINE DRAWING



Mounting Flange to Heatsink
Apply Thermal Compound
Max. Temp 70deg C

Dim'n : mm

ALL SPECIFICATIONS SUBJECT TO CHANGE WITHOUT NOTICE

ISOMET CORP, 5263 Port Royal Rd, Springfield, VA 22151, USA.

Tel: (703) 321 8301 Fax: (703) 321 8546

E-mail: ISOMET@ISOMET.COM Web Page: WWW.ISOMET.COM

Quality Assured.
In-house: RF & Digital design
Software Development
OEM manufacture