

Q1162-SFxxL-H AO Q-SWITCH



0708

The Q1162-SFxxL series are miniature conduction cooled, high efficiency acousto-optic Q-switches designed for use with DPSS Nd:YLF and Nd:YAG lasers. These devices exhibit low insertion loss and high damage threshold. All Isomet AO Q-switches benefit from the company's unparalleled experience in OEM manufacturing, with all key processes maintained in-house. These include optical fabrication, A/R coating and proven high power transducer bonding technology.

Preliminary Specifications

Acoustic Frequency:	40.68 or 80.0MHz
Interaction Material:	Dense Flint
Wavelength:	1047nm to 1064nm
A/R Coating:	< 0.5% / surface
Active Aperture, H:	1.0 *
Clear Aperture:	2mm
Acoustic Mode:	Longitudinal (compressional)
Rise/Fall time:	180nsec / mm beam waist
Polarization:	Vertical, Linear preferred
Transmission:	> 99.5% (single pass)
Cavity Insertion Loss:	10% max, <5% typical
Damage Threshold:	> 250MW/cm ²
RF power	Up to 6W
Diffraction Efficiency:	<u>H=1mm</u>
RF = 4W	>70%
RF = 6W	>80%
Cooling:	Conduction
Input Impedance:	50 Ohms
VSWR:	< 1.2:1

Model Selection:

		<u>Freq</u>		<u>Active Aperture</u>	
Q1162 -	SF	xx	L -	H	
	40.68MHz	40		1.0	1.0mm
	80.0MHz	80			

* Please contact Isomet for alternative apertures.

ALL SPECIFICATIONS SUBJECT TO CHANGE WITHOUT NOTICE

ISOMET CORP, 5263 Port Royal Rd, Springfield, VA 22151, USA.

Tel: (703) 321 8301 Fax: (703) 321 8546

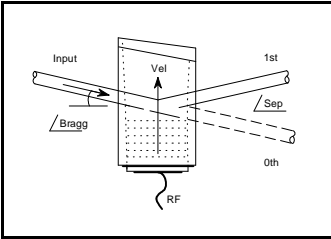
E-mail: ISOMET@ISOMET.COM Web Page: WWW.ISOMET.COM

Quality Assured.

In-house: Crystal Growth,

Optical Polishing,

A/R coating, Vacuum Bonding

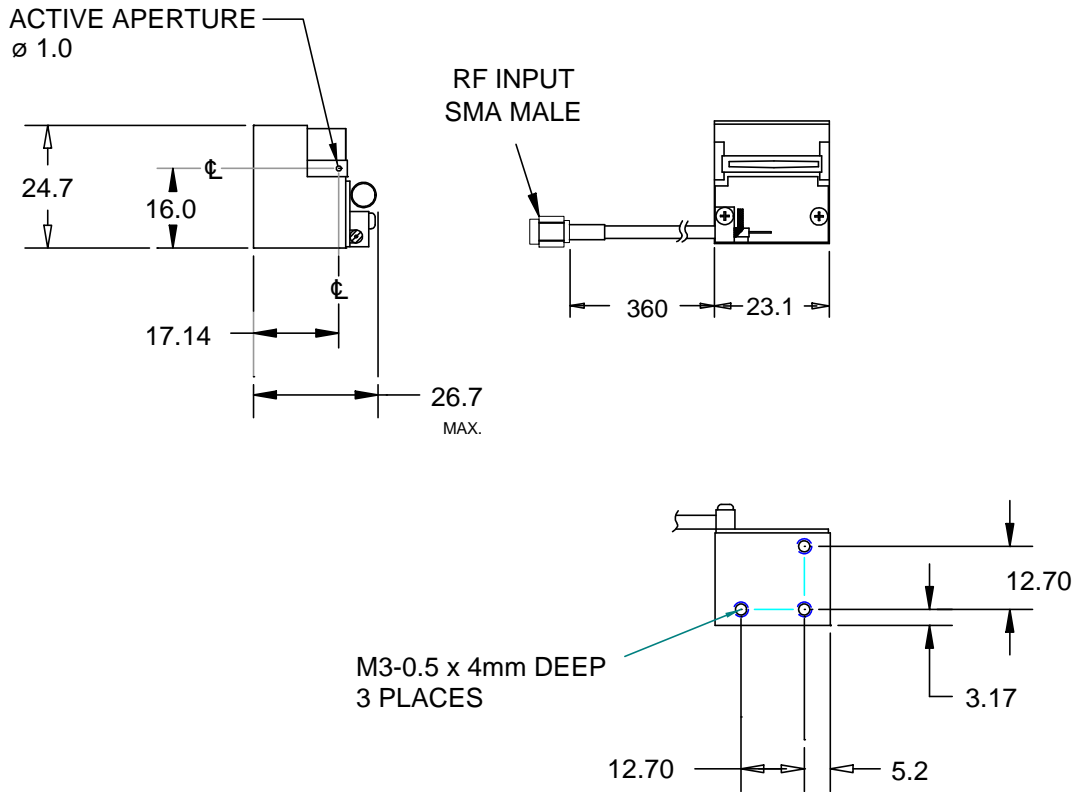


Q1162-SFxxL-H AO Q-SWITCH



0708

Outline Drawing



Ensure adequate heaksinking through mounting surface, especially at higher RF powers.

Recommended Drive Electronics

RF Driver with Waveform Generation
RF Driver with basic Modulation Control

AQS1004-FC-x
531C-7 / 532C-7

ALL SPECIFICATIONS SUBJECT TO CHANGE WITHOUT NOTICE

ISOMET CORP, 5263 Port Royal Rd, Springfield, VA 22151, USA.

Tel: (703) 321 8301 Fax: (703) 321 8546

E-mail: ISOMET@ISOMET.COM Web Page: WWW.ISOMET.COM

Quality Assured.

In-house: Crystal Growth,

Optical Polishing,

A/R coating, Vacuum Bonding