

# M1115-FS80L-3

## Acousto-Optic Modulator



0408

### SPECIFICATIONS

Spectral Range:	Visible
Operating Wavelength:	0.532 $\mu$ m (others on request)
Interaction Medium:	Fused Silica
Acoustic Velocity:	5.96mm/ $\mu$ s
Centre Frequency (fc):	80MHz
RF Bandwidth ( $\Delta$ f):	20MHz
Input Impedance:	50 $\Omega$
Input VSWR:	< 1.5:1 at 80MHz
Optical Insertion Loss:	< 3%
Reflectivity:	< 0.5%/Surface
Laser Polarization:	Vertically Polarized
Optical Power (Maximum):	100 Watts
Active Aperture:	3 mmH x 14 mmL
Cooling :	Conduction (Heatsinking surface req'd)
Outline Dimensions:	see over

### TYPICAL PERFORMANCE at 0.532 $\mu$ m

Input beam diameter :	1.6mm	3mm
Optical access time :	0.17 $\mu$ s	0.33 $\mu$ s
Diffraction Efficiency:	> 85% *	> 85% *
Optical Power:	50 Watts	100 Watts
RF Power:	8 Watts nominal	
Bragg Angle:	3.5 mrad	
Separation Angle at fc :	7.1 mrad	

\* Single mode input

### RF DRIVER ELECTRONICS

RFA910-80

**ALL SPECIFICATIONS SUBJECT TO CHANGE WITHOUT NOTICE**

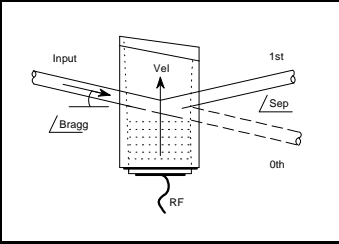
ISOMET CORP, 5263 Port Royal Rd, Springfield, VA 22151, USA.

Tel: (703) 321 8301 Fax: (703) 321 8546

E-mail: [ISOMET@ISOMET.COM](mailto:ISOMET@ISOMET.COM) Web Page: [WWW.ISOMET.COM](http://WWW.ISOMET.COM)

**Quality Assured.**

**In-house: Crystal Growth,  
Optical Polishing,  
A/R coating, Vacuum Bonding**



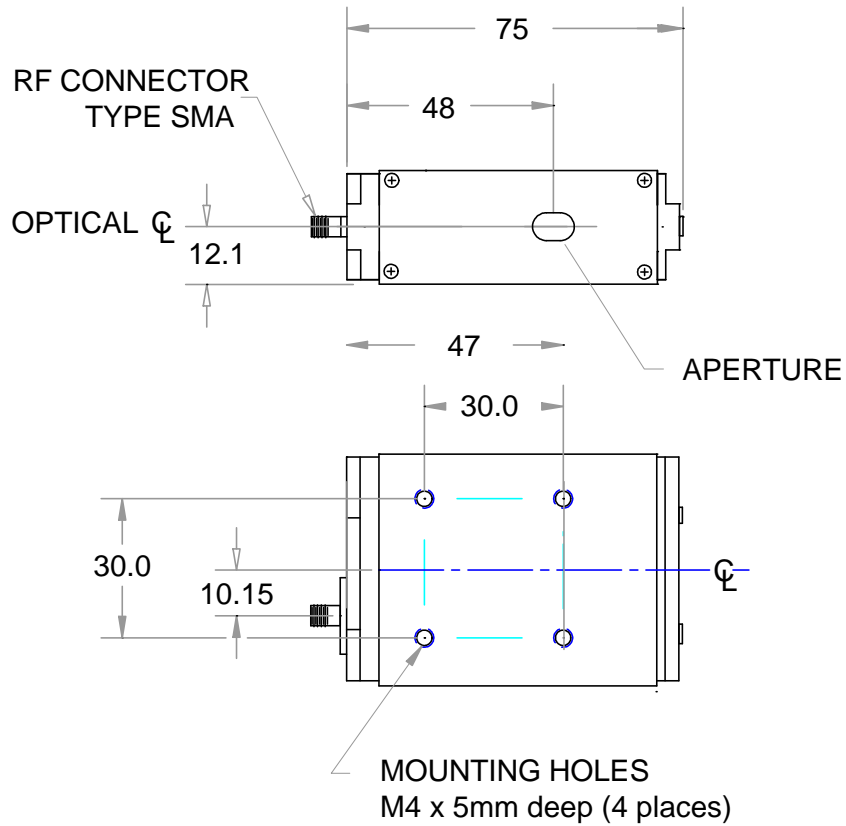
# M1115-FS80L-3

## Acousto-Optic Modulator



0408

### OUTLINE DRAWING



ALL SPECIFICATIONS SUBJECT TO CHANGE WITHOUT NOTICE

ISOMET CORP, 5263 Port Royal Rd, Springfield, VA 22151, USA.

Tel: (703) 321 8301 Fax: (703) 321 8546

E-mail: [ISOMET@ISOMET.COM](mailto:ISOMET@ISOMET.COM) Web Page: [WWW.ISOMET.COM](http://WWW.ISOMET.COM)

Quality Assured.

In-house: Crystal Growth,  
Optical Polishing,  
A/R coating, Vacuum Bonding