

AOTF1331

AO Tuneable Filter



1106

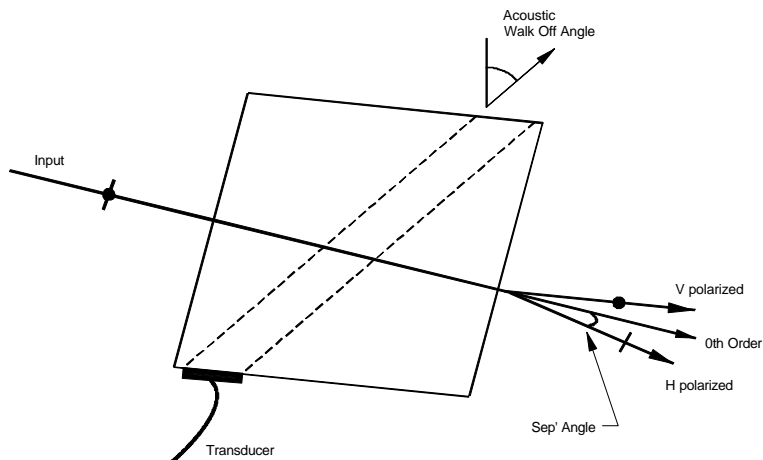
The AOTF1331 Acousto-Optic Tuneable Filter has been optimised for operation in the wavelength range of 2500 nm to 4000nm. The wavelength of the diffracted light is selected by application of a corresponding RF drive frequency. A thermal electric cooler (TEC) is fitted for applications requiring high temperature stability. Isomet grown Tellurium Dioxide (TeO_2), is utilized as the interaction material.

SPECIFICATIONS

Interaction Material:	TeO_2
Aperture:	7mm x 7mm **
Wavelength Range:	2500nm - 4000nm
Bandwidth:	30nm to 50nm
Acceptance Angle (V):	5.0° (Nominal)
Acceptance Angle (H):	5.0° (Nominal)
Separation Angle:	6.78°
Frequency:	24 - 39 MHz
Diffraction Efficiency:	>50% Over Bandwidth
RF Drive Power:	4.0 Watts (Nominal)

** Contact Isomet for alternative apertures

Concept diagram



ALL SPECIFICATIONS SUBJECT TO CHANGE WITHOUT NOTICE

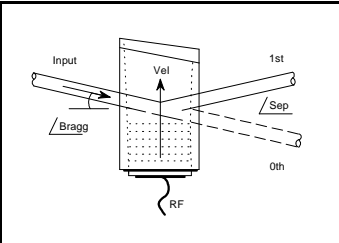
ISOMET CORP, 5263 Port Royal Rd, Springfield, VA 22151, USA.

Tel: (703) 321 8301 Fax: (703) 321 8546

E-mail: ISOMET@ISOMET.COM Web Page: WWW.ISOMET.COM

Quality Assured.

**In-house: Crystal Growth,
Optical Polishing,
A/R coating, Vacuum Bonding**



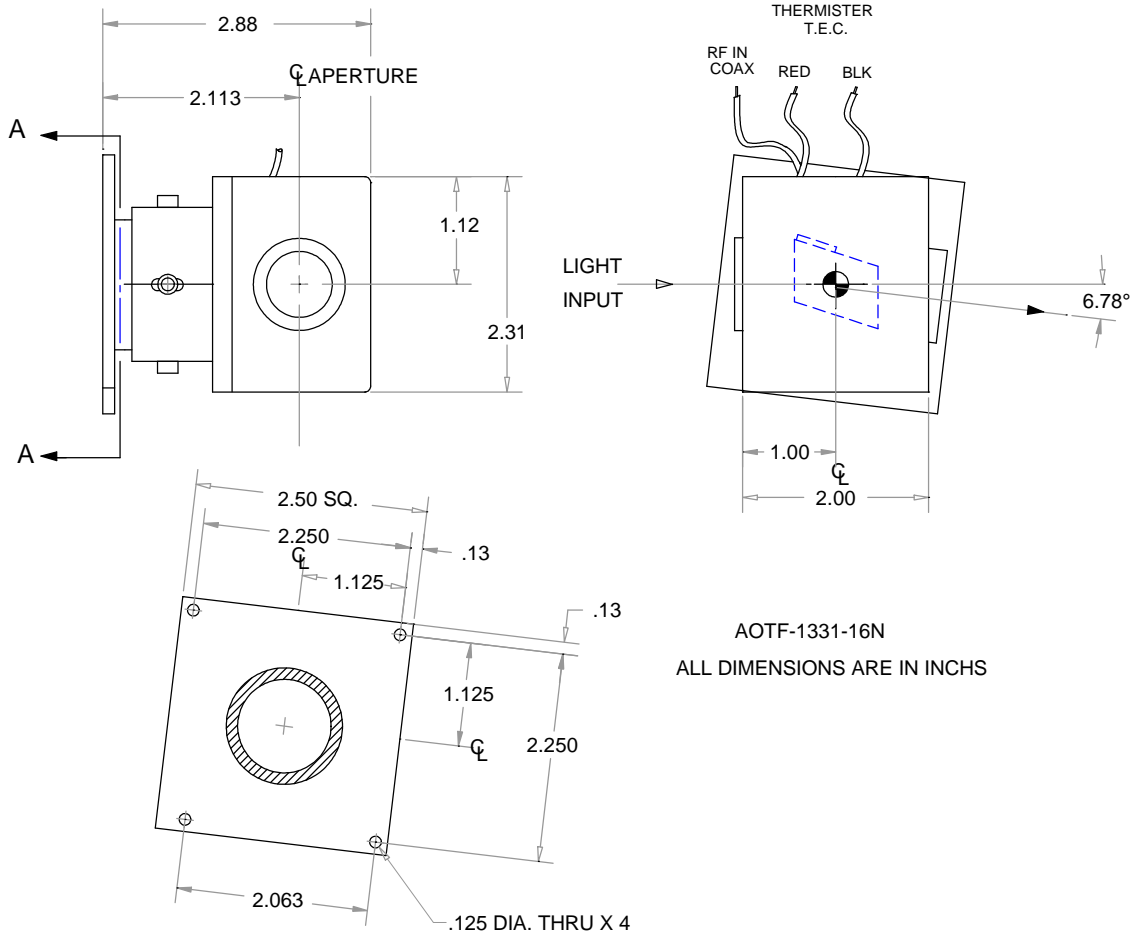
AOTF1331

AO Tuneable Filter



1106

OUTLINE DRAWING



AOTF-1331-16N
ALL DIMENSIONS ARE IN INCHES

SECTION VIEW A-A
MOUNTING HOLE PATTERN

ELECTRONICS

Suitable drive electronics include the Isomet iDDS-1SE frequency synthesizer plus 501C-3 amplifier.

The TEC controller is not supplied.

ALL SPECIFICATIONS SUBJECT TO CHANGE WITHOUT NOTICE
ISOMET CORP, 5263 Port Royal Rd, Springfield, VA 22151, USA.
Tel: (703) 321 8301 Fax: (703) 321 8546
E-mail: ISOMET@ISOMET.COM Web Page: WWW.ISOMET.COM

Quality Assured.
In-house: Crystal Growth,
Optical Polishing,
A/R coating, Vacuum Bonding