

# 1205-1118

## AO Frequency Shifter



1106

The model 1205-1118 is specifically designed for operation as an 80MHz acousto-optic frequency-shifter at 633nm.

### FEATURES

- Small Size
- Low Drive Power
- Large Aperture
- Good Temperature Stability

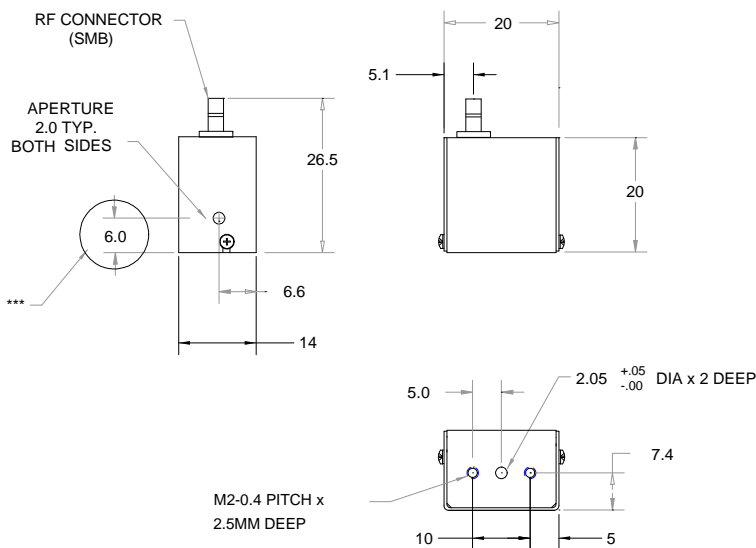
### DRIVERS

- Model 522C-L (Digital)
- Model 532C-L (Analog)

### SPECIFICATIONS

Standard Operating Wavelength:	633nm (Others available)
Interaction Material:	Lead Molybdate (PbMoO <sub>4</sub> )
Active Aperture:	2mm
Center Frequency:	80MHz
Input Impedance:	50 Ohms (nominal)
VSWR:	<1.5:1 @ 80MHz
RF Drive Power:	1 Watt (nominal)
Diffraction Efficiency:	>85%
Insertion Loss:	<3%

### OUTLINE DRAWING



**ALL SPECIFICATIONS SUBJECT TO CHANGE WITHOUT NOTICE**

ISOMET CORP, 5263 Port Royal Rd, Springfield, VA 22151, USA.

Tel: (703) 321 8301 Fax: (703) 321 8546

E-mail: [ISOMET@ISOMET.COM](mailto:ISOMET@ISOMET.COM) Web Page: [WWW.ISOMET.COM](http://WWW.ISOMET.COM)

**Quality Assured.**  
**In-house: Crystal Growth,**  
**Optical Polishing,**  
**A/R coating, Vacuum Bonding**