

Q1072-SF24L

AO Q-SWITCH



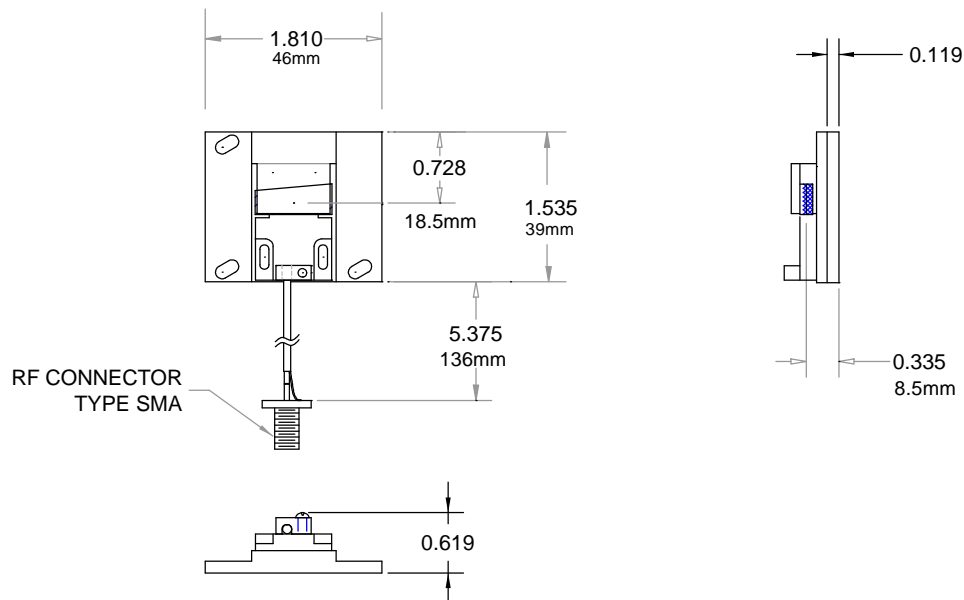
1106

The Q1072-SF24L is a glass acousto-optic Q-switch designed for use with DPSS Nd:YLF and Nd:YAG lasers.

Preliminary Specifications

Acoustic Frequency:	24MHz
Interaction Material:	SF10 Glass
Wavelength:	1047nm to 1064nm
Active Aperture:	1.5mm
Acoustic Mode:	Longitudinal
Polarization:	Linear
Static Loss:	<1%
Damage Threshold:	>300MW/cm ²
Cavity Insertion Loss:	<10%
Diffraction Efficiency	
@RF Power:	>65% @ 3 Watts (nominal)
	>80% @ 5 Watts (nominal)
VSWR:	< 1.2:1
Cooling:	Conduction
Input Impedance:	50 Ohms

Outline Drawing



ALL SPECIFICATIONS SUBJECT TO CHANGE WITHOUT NOTICE

ISOMET CORP, 5263 Port Royal Rd, Springfield, VA 22151, USA.

Tel: (703) 321 8301 Fax: (703) 321 8546

E-mail: ISOMET@ISOMET.COM Web Page: WWW.ISOMET.COM

Quality Assured.

In-house: Crystal Growth,

Optical Polishing,

A/R coating, Vacuum Bonding