

OPP834

AO Deflector / Scophony Modulator



1106

OPERATING PARAMETERS

Operating Wavelength:	Any in the range 442-850nm
$\tau\Delta f$:	520
Center Frequency:	200MHz
3dB Bandwidth:	100MHz
Active Aperture:	0.75mmH x 19mmL
Time Aperture:	5.2 μ s
Interaction Medium:	PbMoO ₄
Acoustic Velocity:	3.63mm/ μ s
Diffraction Efficiency:	>80% (488-633nm)
Electrode Profile:	Apodized to minimize acoustic walkoff
Optical Surface Flatness:	$\lambda/10$ or better
Input Impedance:	50 Ω
Input VSWR:	$\leq 2:1$ across RF Bandwidth
Optical Reflectivity:	$\leq 0.5\%$ /Surface

DRIVERS

620C-200 (Variable Frequency, Digital amplitude modulation)

630C-200 (Variable Frequency, Analog amplitude modulation)

ALL SPECIFICATIONS SUBJECT TO CHANGE WITHOUT NOTICE

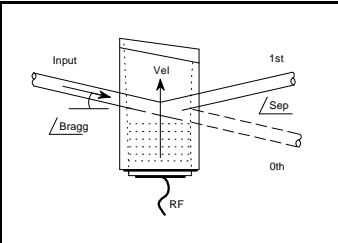
ISOMET CORP, 5263 Port Royal Rd, Springfield, VA 22151, USA.

Tel: (703) 321 8301 Fax: (703) 321 8546

E-mail: ISOMET@ISOMET.COM Web Page: WWW.ISOMET.COM

Quality Assured.

In-house: Crystal Growth,
Optical Polishing,
A/R coating, Vacuum Bonding



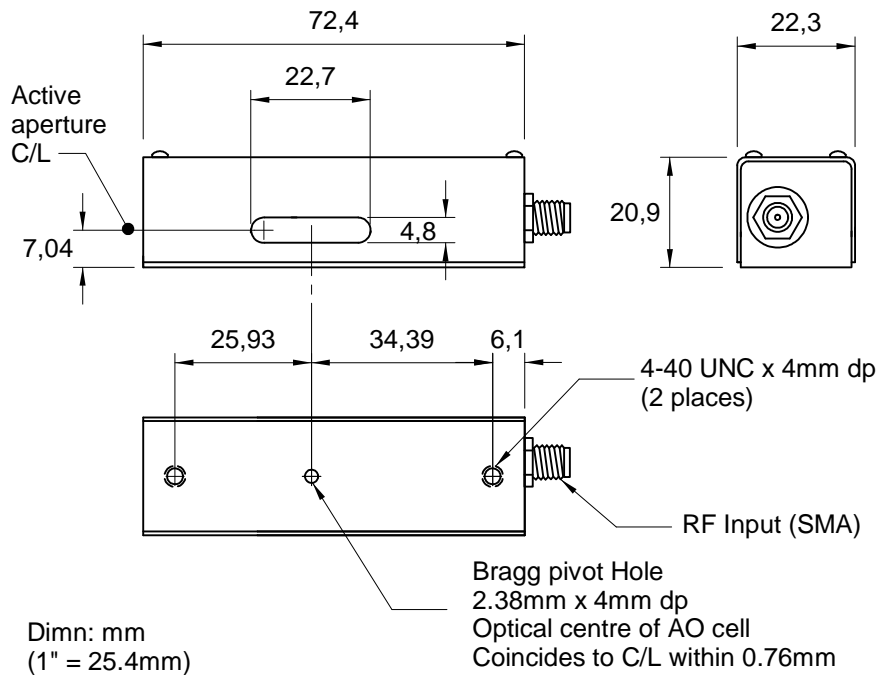
OPP834



AO Deflector / Scophony Modulator

1106

OUTLINE DRAWING



ALL SPECIFICATIONS SUBJECT TO CHANGE WITHOUT NOTICE

ISOMET CORP, 5263 Port Royal Rd, Springfield, VA 22151, USA.

Tel: (703) 321 8301 Fax: (703) 321 8546

E-mail: ISOMET@ISOMET.COM

Web Page: WWW.ISOMET.COM

Quality Assured.

In-house: Crystal Growth,

Optical Polishing,

A/R coating, Vacuum Bonding