

OAD-1121XY

Dual Axis AO Deflector

Off-Axis



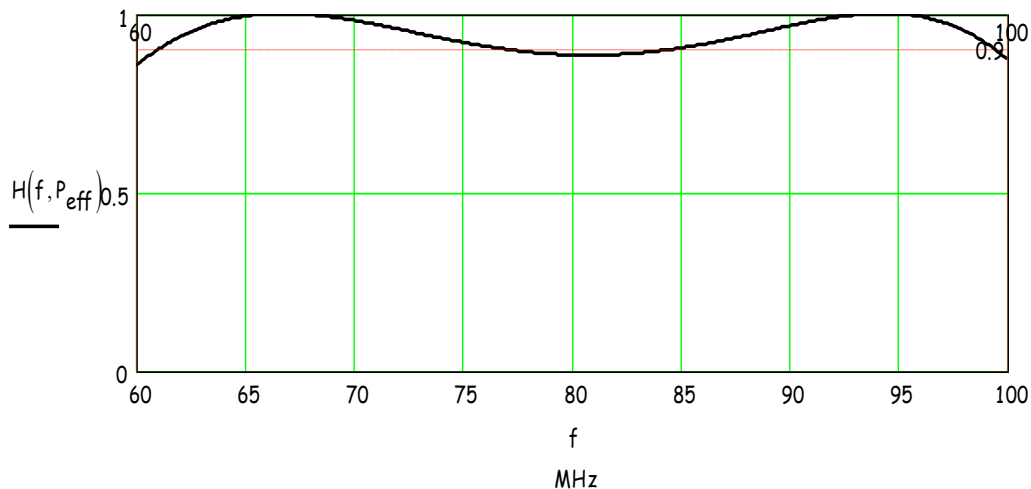
0913

The OAD-1121XY offers high throughput efficiency over a wide scan angle in the NIR range. This deflector has been designed for simplicity and consists of two AO deflector crystals mounted orthogonally in one case. There is no requirement for input or intervening optics between the crystals.

SPECIFICATIONS

Operating Wavelength:	Specify in range 700-900nm
Interaction Material:	TeO ₂ (off-axis)
Acoustic Wave:	Shear
Acoustic Velocity:	690M/s
Center Frequency (f _c):	80MHz
RF Bandwidth:	40MHz
Scan Angle/Axis (degrees):	2.7°
Input Polarization (Required):	Linear, horizontal w.r.t. base
Output polarization:	Linear, horizontal w.r.t. base
Active Aperture:	9mm x 9mm
f _c Separation Angle/Axis:	5.4°
Max RF Power:	1.7W/axis (nominal)
Input impedance:	50 ohm
Access Time:	13usec
Resolution:	>500 x 500
Throughput efficiency across scan	> 65% / axis > 45% total

Relative Diffraction Response vs Frequency (per axis)



ALL SPECIFICATIONS SUBJECT TO CHANGE WITHOUT NOTICE

ISOMET CORP, 5263 Port Royal Rd, Springfield, VA 22151, USA.

Tel: (703) 321 8301 Fax: (703) 321 8546

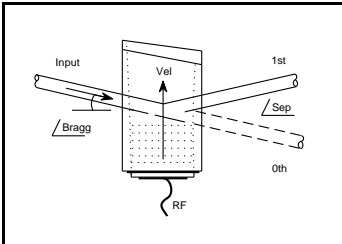
E-mail: ISOMET@ISOMET.COM Web Page: WWW.ISOMET.COM

Quality Assured.

In-house: Crystal Growth,

Optical Polishing,

A/R coating, Vacuum Bonding



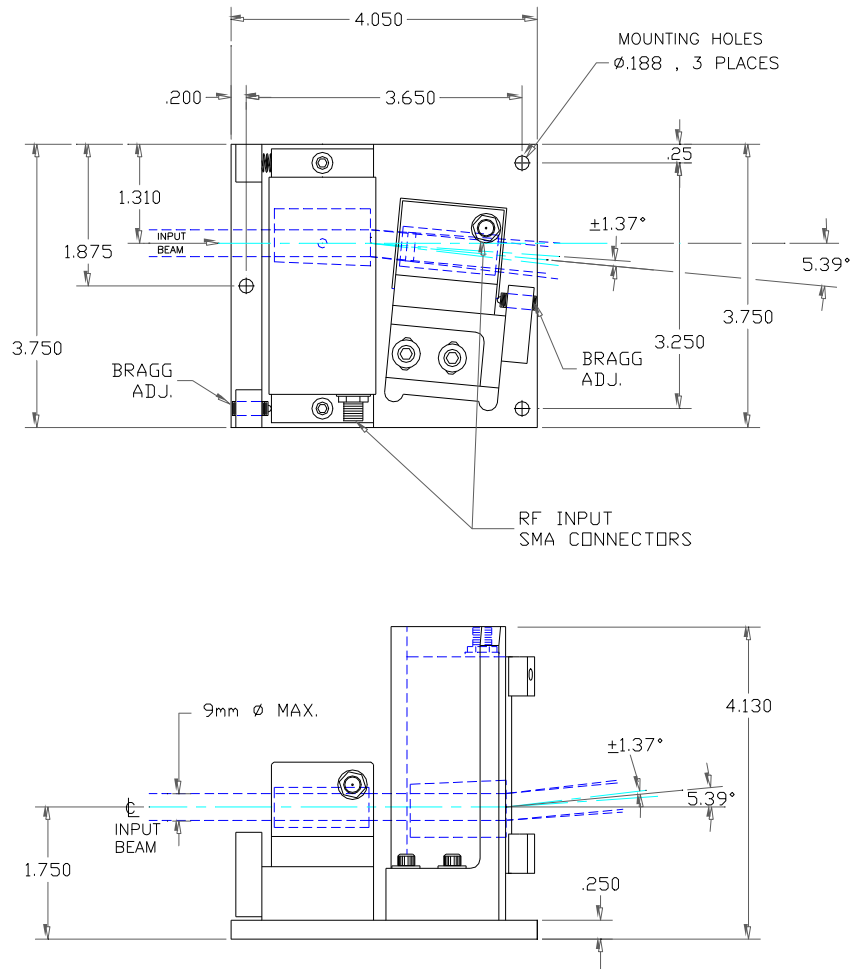
OAD-1121XY



Dual Axis AO Deflector Off-Axis

0913

OUTLINE DRAWING



Recommended Drive Electronics

iHSA-2 Frequency Synthesizer-Amplifier
or
620C/630C-80 Variable Frequency Driver (2 off)

ALL SPECIFICATIONS SUBJECT TO CHANGE WITHOUT NOTICE

ISOMET CORP, 5263 Port Royal Rd, Springfield, VA 22151, USA.

Tel: (703) 321 8301 Fax: (703) 321 8546

E-mail: ISOMET@ISOMET.COM Web Page: WWW.ISOMET.COM

Quality Assured.

In-house: Crystal Growth,

Optical Polishing,

A/R coating, Vacuum Bonding