

M1365-aQ215-3

Acousto-Optic Modulator



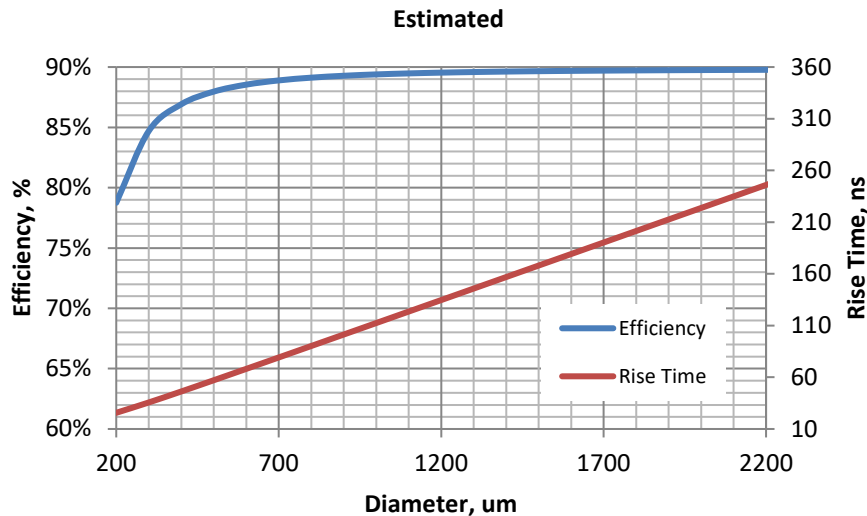
0419

Compact AO Modulator/Low resolution Deflector designed for use at 266nm.

SPECIFICATIONS

A/R Wavelengths:	266nm (other AR coatings available)
Optical Power:	10 Watts **
Interaction Medium:	Quartz
Acoustic Velocity:	5.7mm/ μ s
Centre Frequency (Fc):	215MHz
RF Bandwidth:	5MHz, minimum
Input Impedance:	50 Ω Nominal
VSWR:	<1.5:1 @ Fc
Clear Aperture:	6.5mm
Active Aperture Height:	3mm (H) x 6mm (W)
Static Insertion Loss	<3% at 0.266 μ m
Reflectivity:	< 0.5%/Surface
Laser Polarization:	Linear Vertical.
RF Power (total):	3 Watts nominal
Input Bragg Angle:	5.0 mrad
Separation angle at Fc:	10.0 mrad

Estimated PERFORMANCE at 0.266 μ m *

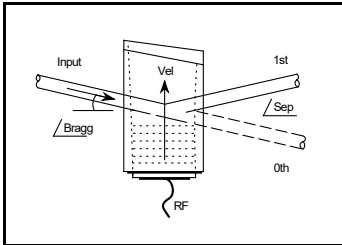


* Single mode input

** For higher powers please contact Isomet

ALL SPECIFICATIONS SUBJECT TO CHANGE WITHOUT NOTICE
 ISOMET CORP, 10342 Battlevue Parkway, Manassas, VA 20109, USA.
 Tel: (703) 321 8301 Fax: (703) 321 8546
 E-mail: ISOMET@ISOMET.COM Web Page: WWW.ISOMET.COM

Quality Assured.
 In-house: Crystal Growth,
 Optical Polishing,
 A/R coating, Vacuum Bonding



M1365-aQ215-3

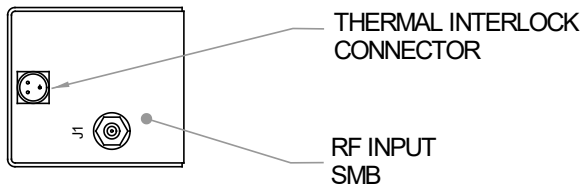
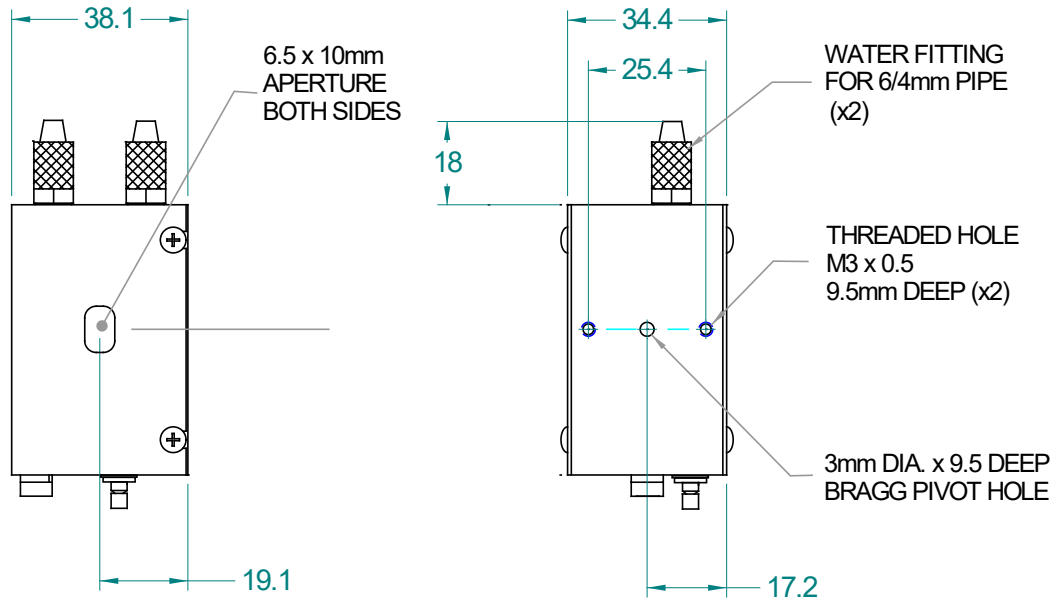
Acousto-Optic Modulator



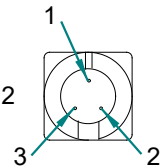
0419

OUTLINE DRAWING

Dimensions: mm



Interlock Connector: 3-pin Snap
Normally Closed Contacts : Pins 1 , 2
Not connected : Pin 3



Cooling:

Water cooling optional
All wet surfaces Tellurium copper.
Corrosion inhibitor recommended.
Thermal interlock switch opens at 40degC
Refer application note AN1606 regarding Coolant Specification

Recommended Driver

Analog and Digital Modulation 555F-3-215

ALL SPECIFICATIONS SUBJECT TO CHANGE WITHOUT NOTICE
ISOMET CORP, 10342 Battlevue Parkway, Manassas, VA 20109, USA.
Tel: (703) 321 8301 Fax: (703) 321 8546
E-mail: ISOMET@ISOMET.COM Web Page: WWW.ISOMET.COM

Quality Assured.
In-house: Crystal Growth,
Optical Polishing,
A/R coating, Vacuum Bonding