

M1115-FS80L-3

Acousto-Optic Modulator

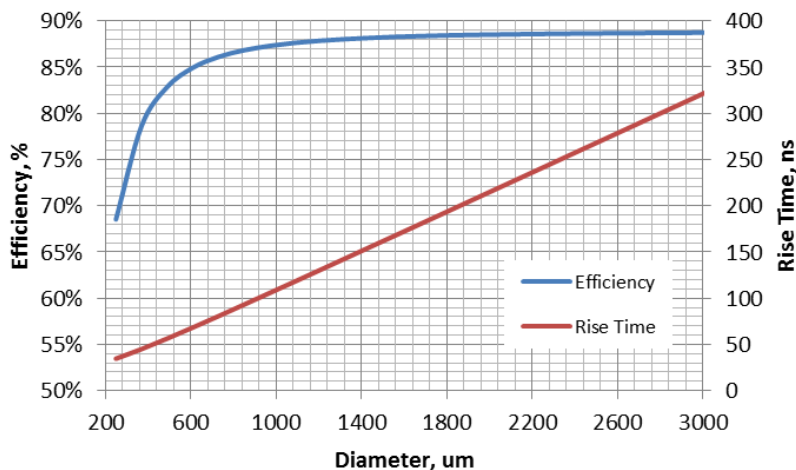


0419

SPECIFICATIONS

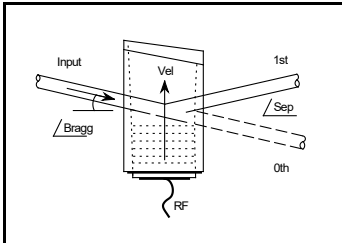
Spectral Range:	Visible
Operating Wavelength:	0.532 μ m (others on request)
Interaction Medium:	Fused Silica
Acoustic Velocity:	5.96mm/ μ s
Centre Frequency (fc):	80MHz
RF Bandwidth (Δ f):	20MHz
Input Impedance:	50 Ω
Input VSWR:	< 1.5:1 at 80MHz
RF Power:	7 Watts (nominal)
Optical Insertion Loss:	< 3%
Reflectivity:	< 0.5%/Surface
Laser Polarization:	Vertically Polarized
Input beam diameter:	1.6mm 3mm
Optical Power (CW):	50 Watts 100 Watts
Bragg Angle:	3.5 mrad
Separation Angle at fc:	7.1 mrad
Clear Aperture:	6mmH x 9mmL
Active Aperture:	3mmH x 6mmL
Cooling:	Conduction (Heatsinking surface req'd)

TYPICAL PERFORMANCE at 0.532 μ m (Single mode input)



ALL SPECIFICATIONS SUBJECT TO CHANGE WITHOUT NOTICE
 ISOMET CORP, 5263 Port Royal Rd, Springfield, VA 22151, USA.
 Tel: (703) 321 8301 Fax: (703) 321 8546
 E-mail: ISOMET@ISOMET.COM Web Page: WWW.ISOMET.COM

Quality Assured.
 In-house: Crystal Growth,
 Optical Polishing,
 A/R coating, Vacuum Bonding



M1115-FS80L-3

Acousto-Optic Modulator

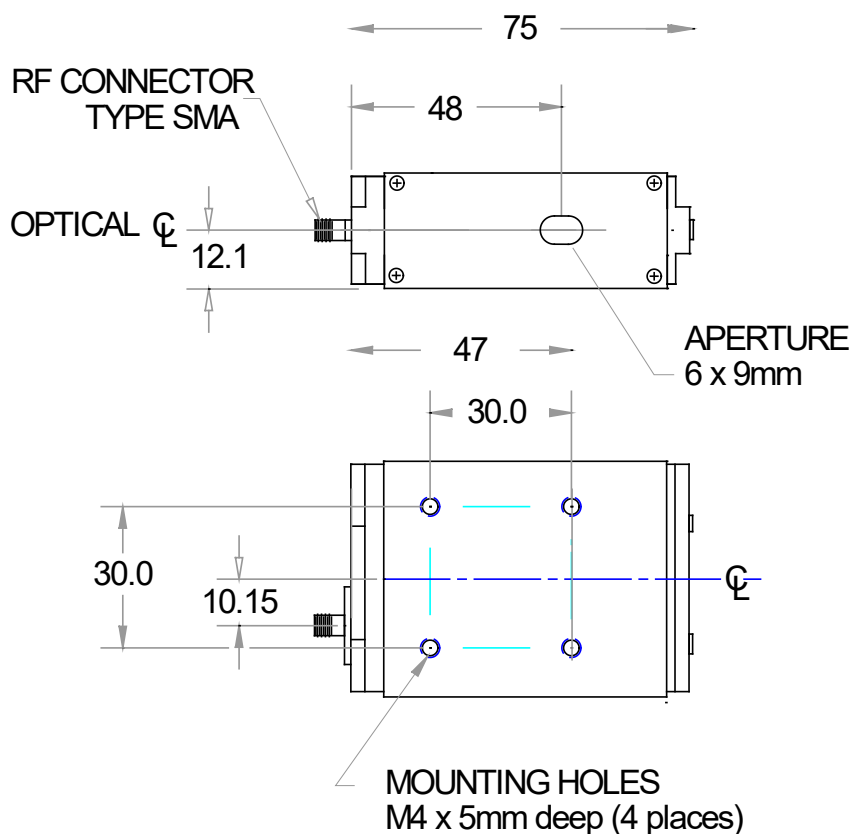


0419

DRIVERS

<u>Freq' Source</u>	<u>Amplitude control</u>	<u>Digital (On:Off)</u>	<u>Analog (Proportional)</u>	<u>Dual</u>
Fixed frequency		522C-7	532C-7	552F-7
VCO, tuneable		620A-80	630A-80	RFA910T-80
Programmable Synthesizer			iSPA-SF1-b7	

OUTLINE DRAWING



ALL SPECIFICATIONS SUBJECT TO CHANGE WITHOUT NOTICE
 ISOMET CORP, 5263 Port Royal Rd, Springfield, VA 22151, USA.
 Tel: (703) 321 8301 Fax: (703) 321 8546
 E-mail: ISOMET@ISOMET.COM Web Page: WWW.ISOMET.COM

Quality Assured.
 In-house: Crystal Growth,
 Optical Polishing,
 A/R coating, Vacuum Bonding