

M1099-T80L-3

Acousto-Optic Modulator



0115

Compact AO Modulator designed for High Power NIR Fibre and DPSS laser applications.
AOM is supplied with a removable water cooled base plate.

SPECIFICATIONS

Spectral Range:	0.36 > 1.5µm
Standard A/R Wavelengths:	1.1µm
Interaction Medium:	Tellurium Dioxide (TeO ₂)
Acoustic Velocity:	4.2mm/µs
Centre Frequency (Fc):	80MHz
RF Bandwidth:	30MHz
Input Impedance:	50Ω Nominal
VSWR:	<1.5:1 @ Fc
Clear Aperture:	6.5mm
Active Aperture Height:	3mm
Static Insertion Loss	<3% at 1.1µm
Reflectivity:	< 0.5%/Surface
Laser Polarization:	Any
DC Contrast Ratio:	>1000:1 min (>2000:1 typical)
Cooling:	Conduction to water cooled base plate (Can be substituted)

TYPICAL PERFORMANCE at 1.1µm

Optical Power:	100 Watts CW **		
Beam Diameter (mm):	2.8	1.6	
Optical Rise Time (ns):	430	245	
Modulation Bandwidth (MHz) @ MTF = 0.5:	0.8	1.4	
Deflection Efficiency (% @ CF) * :	>85	>85	Polarization Perpendicular to Base
	>80	>80	Polarization Horizontal to Base
RF Power:	4 Watts nominal		
Bragg Angle:	10.5 mrad		
Separation Angle at fc :	21.0 mrad		

* Single mode input

** For higher powers please contact Isomet

ALL SPECIFICATIONS SUBJECT TO CHANGE WITHOUT NOTICE

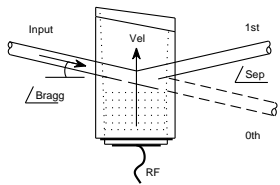
ISOMET CORP, 5263 Port Royal Rd, Springfield, VA 22151, USA.

Tel: (703) 321 8301 Fax: (703) 321 8546

E-mail: ISOMET@ISOMET.COM Web Page: WWW.ISOMET.COM

Quality Assured.

**In-house: Crystal Growth,
Optical Polishing,
A/R coating, Vacuum Bonding**



M1099-T80L-3

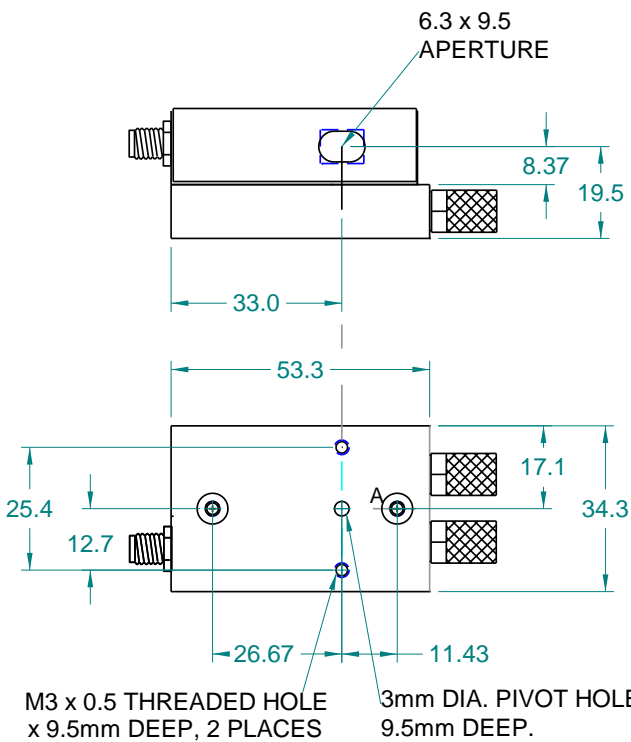
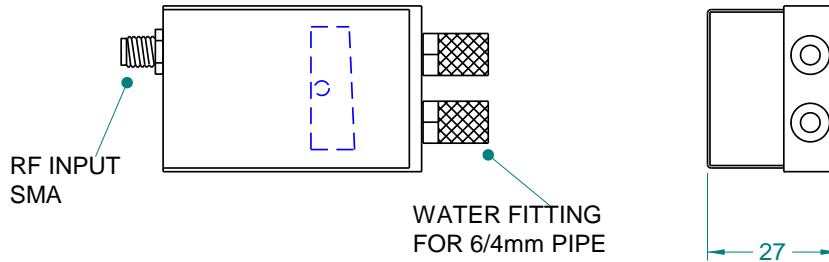
Acousto-Optic Modulator



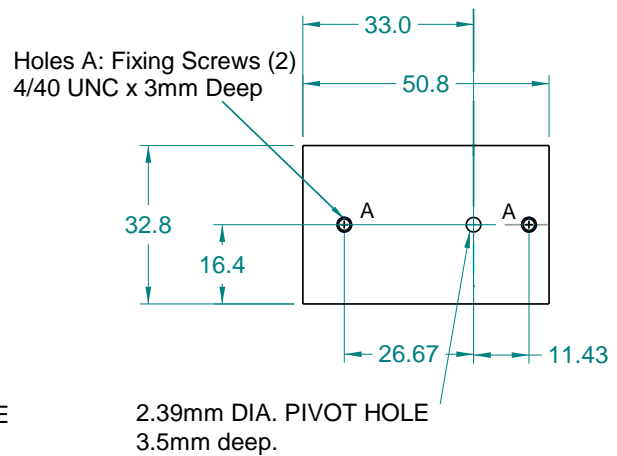
0115

OUTLINE DRAWING

Dimensions: mm



Water Cooled Base Plate removed



Recommended Drivers

Model 522c-4 (Digital Modulation)

Model 532c-4 (Analog Modulation)

ALL SPECIFICATIONS SUBJECT TO CHANGE WITHOUT NOTICE

ISOMET CORP, 5263 Port Royal Rd, Springfield, VA 22151, USA.

Tel: (703) 321 8301 Fax: (703) 321 8546

E-mail: ISOMET@ISOMET.COM Web Page: WWW.ISOMET.COM

Quality Assured.

In-house: Crystal Growth,
Optical Polishing,
A/R coating, Vacuum Bonding