

LS600-1109-10-W

Large Aperture GE Deflector



0109

The LS600-1109 -W are large aperture Germanium AO devices designed for signal processing applications in the mid-IR to far-IR. This version is suited for high average or CW driver powers and is water cooled.

SPECIFICATIONS (TYPICAL)

A/R Coating Wavelengths:	3.5 – 6um 3 – 12um by request
Interaction Material:	Germanium
Centre Frequency (fc):	75MHz
FM Bandwidth:	50MHz
Diffraction Efficiency:	> 80% at fc
Maximum RF Power:	<240 Watts peak
Static Insertion Loss:	<7% (coating dependent)
Optical Power (max):	600Watts (CW full aperture)
Bragg Angle at 6um:	40.9 mrad.
Separation Angle at 6um:	81.8 mrad. (@ fc)
Active Aperture:	10mmH x 55mmW
Access Time:	10µsec
Laser Polarization:	Linear, Horizontal
Cooling:	
> 2% - 100% (CW) duty cycle RF	Water cooling mandatory
Drive Electronics**:	
Pulsed Signal Processing Applications:	RFA-1160/4-ZP-PO
Scanning Applications:	RFA-1160/4

** The RFA1160/4 series amplifiers require a frequency source such as the iHHS-2 programmable frequency synthesizer or customer supplied waveform generator.

ALL SPECIFICATIONS SUBJECT TO CHANGE WITHOUT NOTICE

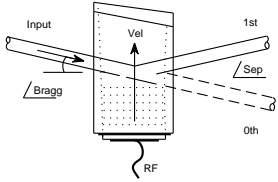
ISOMET CORP, 5263 Port Royal Rd, Springfield, VA 22151, USA.

Tel: (703) 321 8301 Fax: (703) 321 8546

E-mail: ISOMET@ISOMET.COM Web Page: WWW.ISOMET.COM

Quality Assured.

In-house: Crystal Growth,
Optical Polishing,
A/R coating, Vacuum Bonding



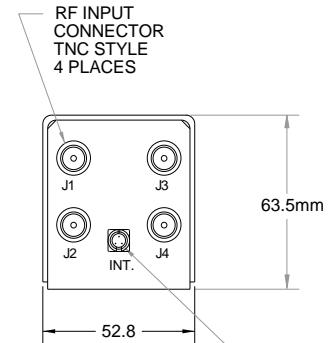
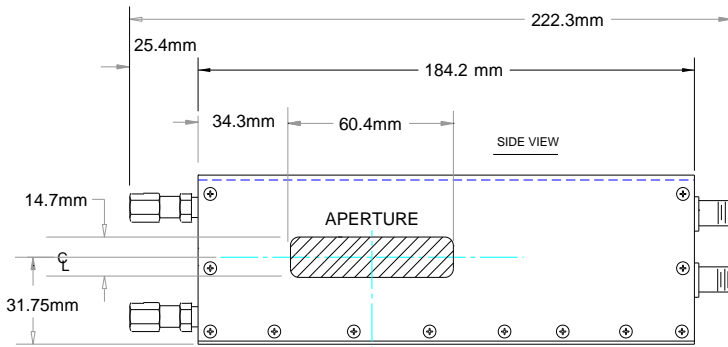
LS600-1109-10-W

Large Aperture GE Deflector



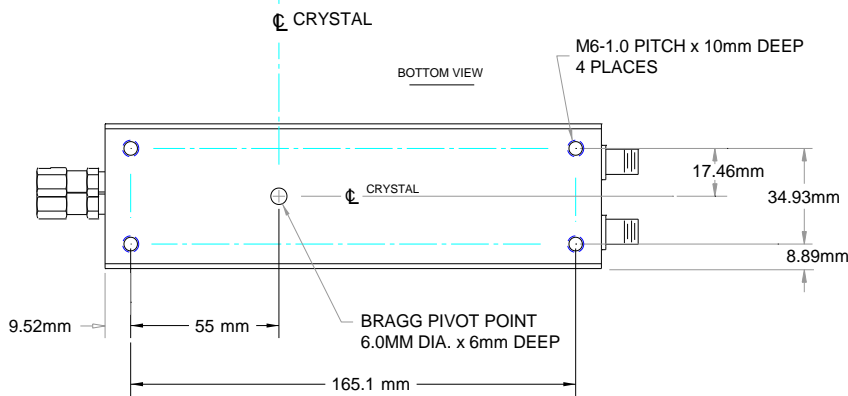
0109

OUTLINE DRAWING: LS600-1109-10W



RF INPUT CONNECTOR
TNC STYLE
4 PLACES

Over temperature Interlock Connector
3-pin Snap
Normally Closed Contacts : Pins 1 , 2
Not connected : Pin 3



NOTES:

1. THIS DEVICE REQUIRES WATER COOLING TO PREVENT THERMAL RUNAWAY. THE INTEGRAL NC THERMAL INTERLOCK SWITCH OPENS AT 35 DEGREES CENTIGRADE.
2. THE WATER COOLED CASE PARTS ARE ALUMINIUM, CORROSION INHIBITOR SHOULD BE ADDED TO THE COOLANT WATER

Dimensions: Inches
Water cooled model

ALL SPECIFICATIONS SUBJECT TO CHANGE WITHOUT NOTICE

ISOMET CORP, 5263 Port Royal Rd, Springfield, VA 22151, USA.

Tel: (703) 321 8301 Fax: (703) 321 8546

E-mail: ISOMET@ISOMET.COM Web Page: WWW.ISOMET.COM

Quality Assured.

**In-house: Crystal Growth,
Optical Polishing,
A/R coating, Vacuum Bonding**