

# FCM1550-P50-SM-FC

FIBER COUPLED AO MODULATOR



1212

The FCM1550-P50 is a fiber coupled AO modulator for use at 1.55um. This unit is designed for use as an intensity modulator or frequency shifter (positive shift).

Custom configurations are available.

## SPECIFICATIONS

Interaction material:	PbMoO4
Wavelength:	1550 nm
Polarization:	Random
Center Frequency:	50 MHz (up-shift)
Insertion Loss:	< 2.5dB
ON/OFF modulation contrast ratio:	
520C series drivers	> 40dB
720C series drivers	> 50dB
Return Loss:	60 dB
Rise time:	90nsec
RF power:	< 2W
F/O cable Lengths:	1 meter
Connectors:	FC/APC
F/O type:	SMF-28, 900um buffer

## Recommended Drivers

531C-2-50, Analog Modulation

521C-2-50, Digital Modulation

722C-2-50, 60dB Digital Modulation

### ALL SPECIFICATIONS SUBJECT TO CHANGE WITHOUT NOTICE

ISOMET CORP, 5263 Port Royal Rd, Springfield, VA 22151, USA.

Tel: (703) 321 8301 Fax: (703) 321 8546

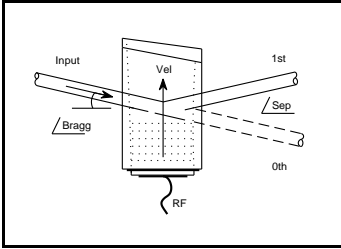
E-mail: [ISOMET@ISOMET.COM](mailto:ISOMET@ISOMET.COM) Web Page: [WWW.ISOMET.COM](http://WWW.ISOMET.COM)

Quality Assured.

In-house: Crystal Growth,

Optical Polishing,

A/R coating, Vacuum Bonding



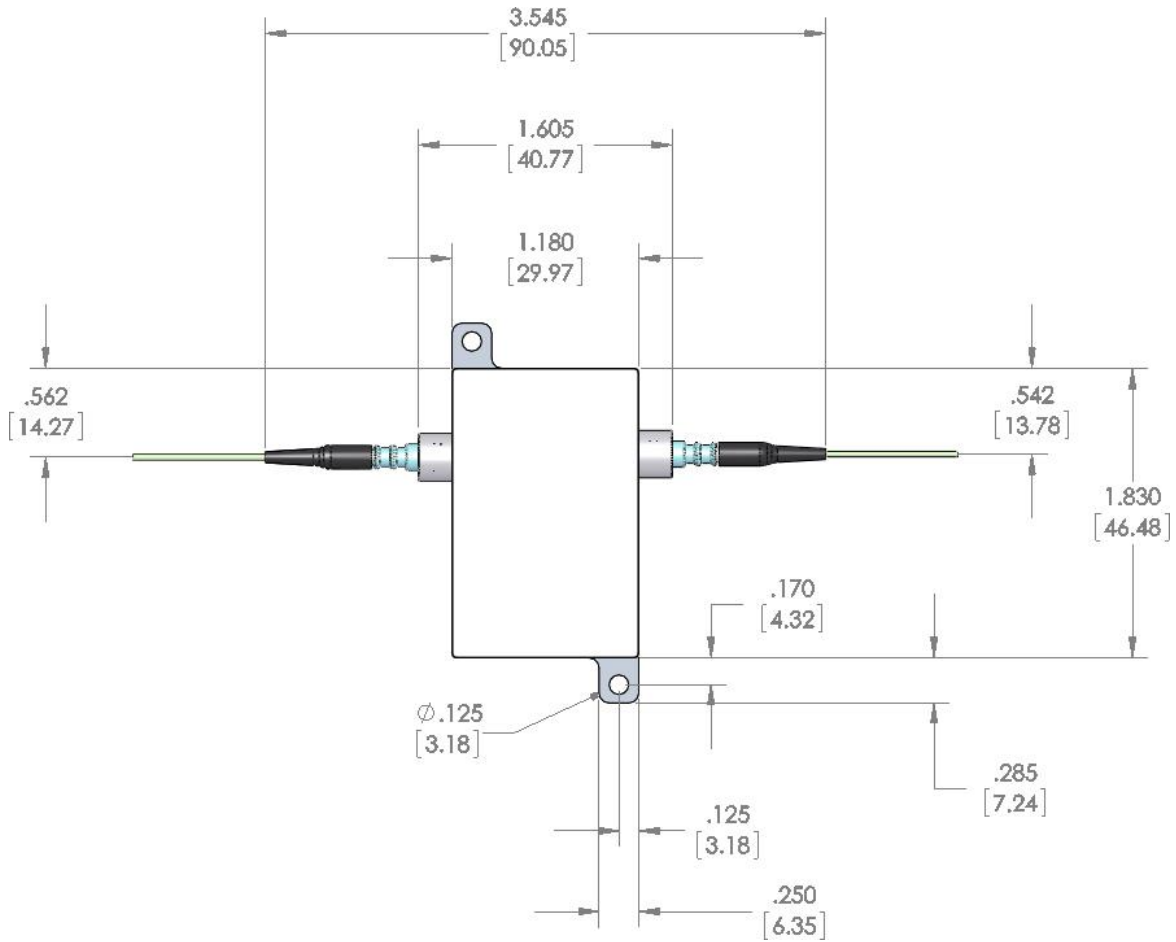
# FCM1550-P50-SM-FC

FIBER COUPLED AO MODULATOR



1212

## OUTLINE DRAWING



Dim'n: Inches [mm0]

Stainless steel case with exposed copper heat sink in base.

**ALL SPECIFICATIONS SUBJECT TO CHANGE WITHOUT NOTICE**

ISOMET CORP, 5263 Port Royal Rd, Springfield, VA 22151, USA.

Tel: (703) 321 8301 Fax: (703) 321 8546

E-mail: [ISOMET@ISOMET.COM](mailto:ISOMET@ISOMET.COM) Web Page: [WWW.ISOMET.COM](http://WWW.ISOMET.COM)

**Quality Assured.**

**In-house: Crystal Growth,**

**Optical Polishing,**

**A/R coating, Vacuum Bonding**