

D1365-aQ180-3

Acousto-Optic Deflector



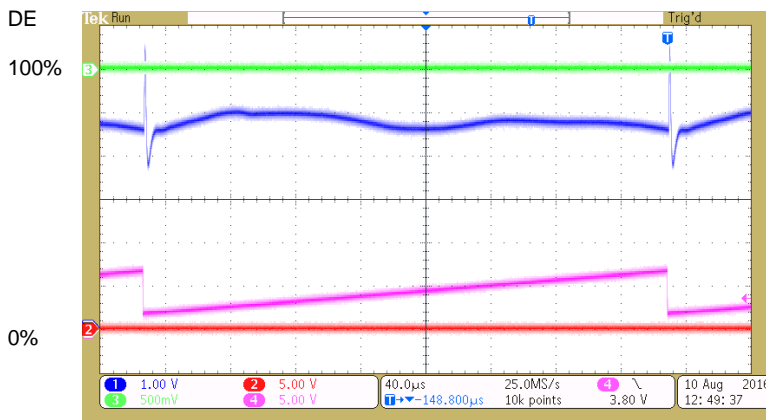
0117

Compact AO Deflector designed for High Power Fibre and DPSS, 532nm lasers. The unit incorporates four section acoustic beam steering to produce a flat scan response. Applications include high speed, sequential multi-point scanning or fast sweep operation.

SPECIFICATIONS

Spectral Range:	0.36 > 1.5 μ m
Standard A/R Wavelengths:	0.532 μ m
Optical Power:	50 Watts **
Interaction Medium:	Quartz
Acoustic Velocity:	5.7mm/ μ s
Centre Frequency (Fc):	180MHz (+/- 5% for best scan response)
RF Bandwidth:	60MHz, minimum
Input Impedance:	50 Ω Nominal
VSWR:	<1.5:1 @ Fc
Clear Aperture:	6.5mm
Active Aperture Height:	3mm (H) x 6mm (W)
Static Insertion Loss	<3% at 0.532 μ m
Reflectivity:	< 0.5%/Surface
Laser Polarization:	Linear Vertical.
RF Power (total):	12 Watts nominal
Input Bragg Angle:	8.4 mrad
Separation angle at Fc:	16.8 mrad
Typical Scan Angle:	6 mrad
Cooling:	Water cooled. All wet surfaces Tellurium copper. Corrosion inhibitor recommended. Thermal interlock switch opens at 40degC

TYPICAL SCAN PERFORMANCE at 0.532 μ m *



- Trace 1
Detector output, 1st order scan.
- Trace 2
0% efficiency level
- Trace 3
100% efficiency level.
- Trace 4
Frequency tuning voltage

* Single mode input

** For higher powers please contact Isomet

ALL SPECIFICATIONS SUBJECT TO CHANGE WITHOUT NOTICE

ISOMET CORP, 5263 Port Royal Rd, Springfield, VA 22151, USA.

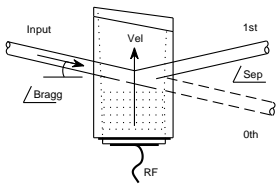
Tel: (703) 321 8301 Fax: (703) 321 8546

E-mail: ISOMET@ISOMET.COM

Web Page: WWW.ISOMET.COM

Quality Assured.

**In-house: Crystal Growth,
Optical Polishing,
A/R coating, Vacuum Bonding**



D1365-aQ180-3

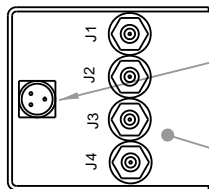
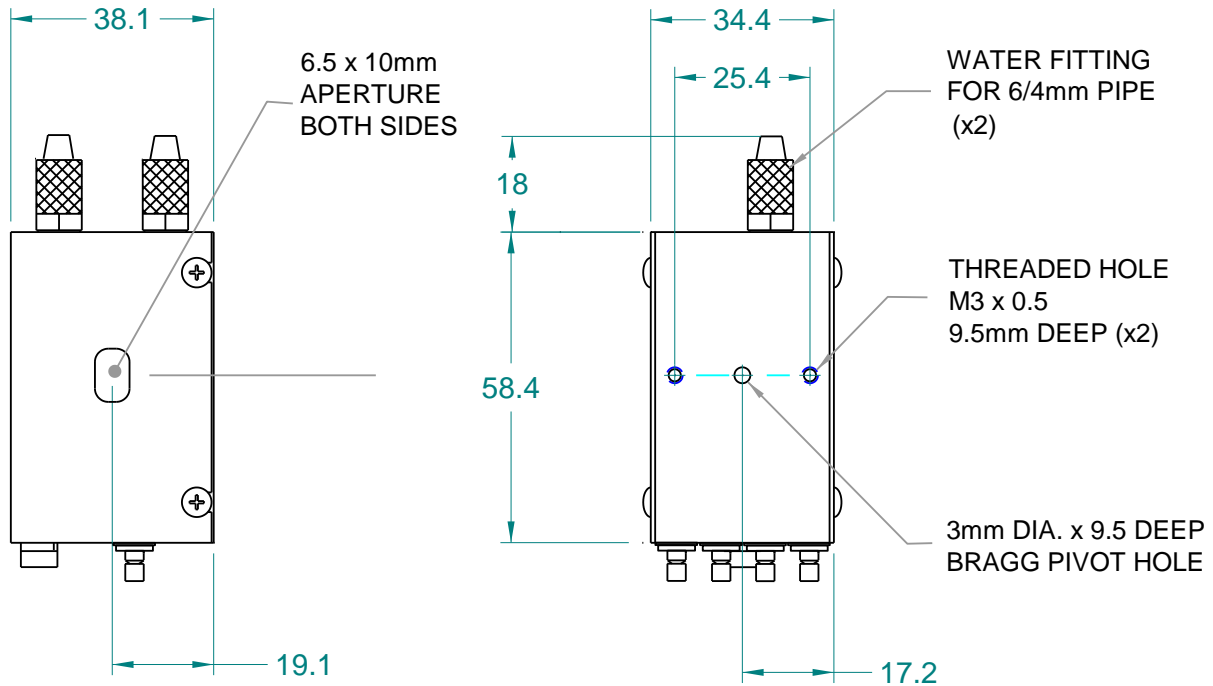
Acousto-Optic Deflector



0117

OUTLINE DRAWING

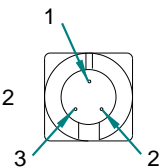
Dimensions: mm



THERMAL INTERLOCK CONNECTOR

RF INPUT SMB (x4)

Interlock Connector: 3-pin Snap
Normally Closed Contacts : Pins 1 , 2
Not connected : Pin 3



Recommended Driver

Model RFA5180-4-BR

ALL SPECIFICATIONS SUBJECT TO CHANGE WITHOUT NOTICE

ISOMET CORP, 5263 Port Royal Rd, Springfield, VA 22151, USA.

Tel: (703) 321 8301 Fax: (703) 321 8546

E-mail: ISOMET@ISOMET.COM Web Page: WWW.ISOMET.COM

Quality Assured.

In-house: Crystal Growth,
Optical Polishing,
A/R coating, Vacuum Bonding