

D1155M-T75S-H

Acousto-Optic Modulator

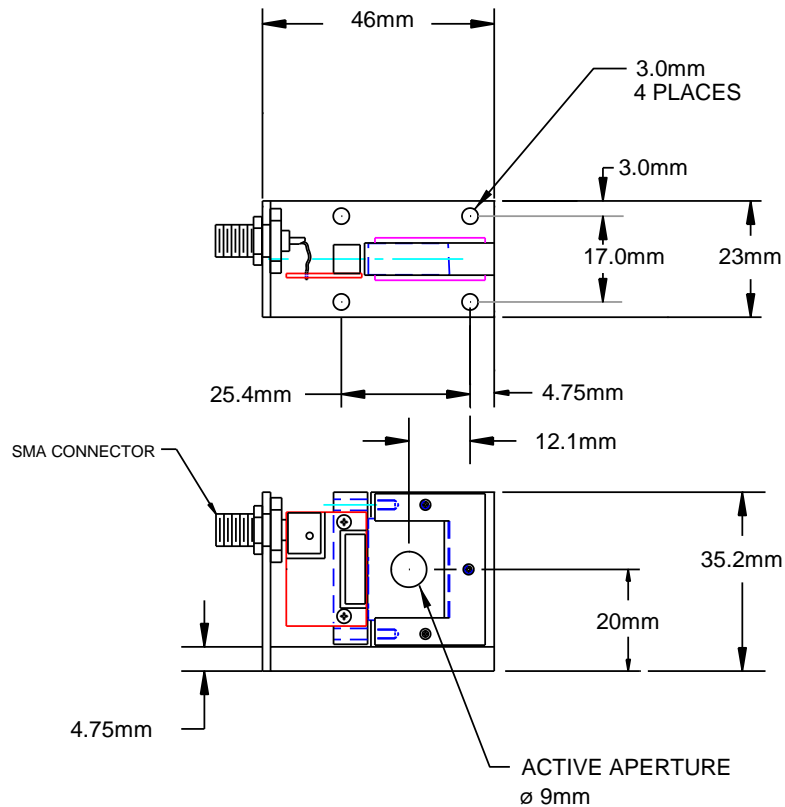
(Issue 2, Preliminary)



0913

APPLICATIONS

Low wavefront distortion AO deflector for use at 405nm



OUTLINE, D1155-T75S-9

RF DRIVE ELECTRONICS

VCO based driver 630C-80
Or
iSPA-SF1 synthesizer / amplifier

ALL SPECIFICATIONS SUBJECT TO CHANGE WITHOUT NOTICE

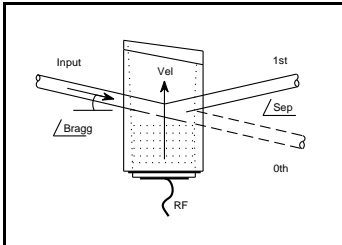
ISOMET CORP, 5263 Port Royal Rd, Springfield, VA 22151, USA.

Tel: (703) 321 8301 Fax: (703) 321 8546

E-mail: ISOMET@ISOMET.COM Web Page: WWW.ISOMET.COM

Quality Assured.

**In-house: Crystal Growth,
Optical Polishing,
A/R coating, Vacuum Bonding**



D1155M-T75S-H

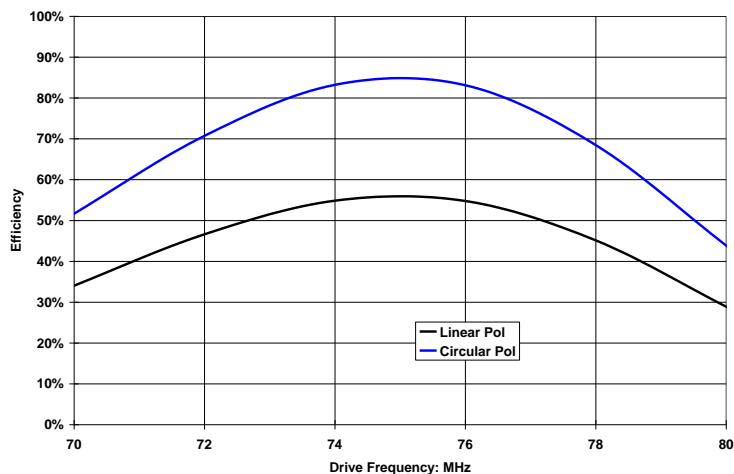


Acousto-Optic Modulator (Issue 2, Preliminary)

0913

SPECIFICATIONS

Estimated scan response at 405nm for linear and circularly polarized input light



Active Aperture (H):	9mm
Access Time (t):	14.5 μ s
Interaction Material:	TeO ₂ (Slow Shear)
Acoustic Velocity:	0.62mm/ μ s

Centre Frequency (Fc):	75MHz
RF bandwidth:	10MHz
Wavelength	405nm

Input Bragg Angle:	34.5mrad (nominal)
Output Separation angle at Fc:	49mrad
Minimum Scan angle	+/- 2mrad (+/- 3.05MHz at 405nm)

Wavefront Distortion:	< $\lambda/20$, theoretical (for maximum temperature differential of ~ 10°C)
-----------------------	--

RF Input Impedance:	50 Ω Nominal
RF Drive Power:	500mW

ALL SPECIFICATIONS SUBJECT TO CHANGE WITHOUT NOTICE

ISOMET CORP, 5263 Port Royal Rd, Springfield, VA 22151, USA.

Tel: (703) 321 8301 Fax: (703) 321 8546

E-mail: ISOMET@ISOMET.COM Web Page: WWW.ISOMET.COM

Quality Assured.

**In-house: Crystal Growth,
Optical Polishing,
A/R coating, Vacuum Bonding**