

# D1135-T110L-4

## Acousto-Optic Deflector



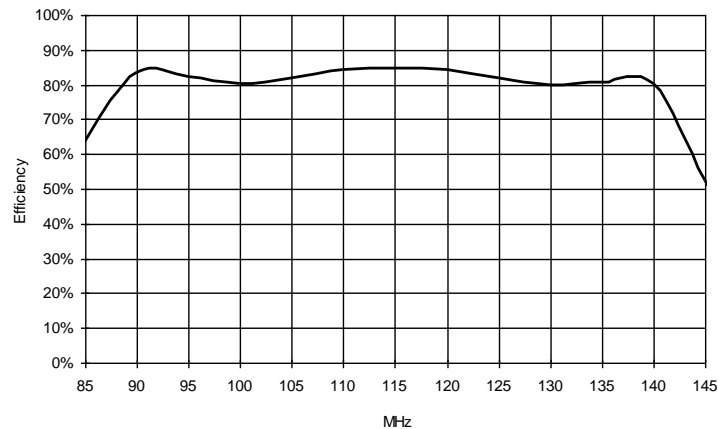
0814

Compact AO Deflector designed for High Power Fibre and DPSS, NIR lasers. The unit incorporates four section acoustic beam steering to produce a flat scan response. Applications include high speed, sequential multi-point scanning or fast sweep operation.

### SPECIFICATIONS

Spectral Range:	0.36 > 1.5 $\mu$ m
Standard A/R Wavelengths:	1.1 $\mu$ m
Optical Power:	160 Watts **
Interaction Medium:	Tellurium Dioxide (TeO <sub>2</sub> )
Acoustic Velocity:	4.2mm/ $\mu$ s
Centre Frequency (Fc):	110MHz (nominal)
RF Bandwidth:	50MHz
Input Impedance:	50 $\Omega$ Nominal
VSWR:	<1.5:1 @ Fc
Clear Aperture:	6.5mm
Active Aperture Height:	4mm
Static Insertion Loss	<3% at 1.1 $\mu$ m
Reflectivity:	< 0.5%/Surface
Laser Polarization:	Any
RF Power (total):	6 Watts nominal
Bragg Angle:	15 mrad
Typical Scan Angle:	13 mrad
Cooling:	Water cooled Corrosion inhibitor strongly recommended Thermal interlock switch opens at 40degC

### TYPICAL SCAN PERFORMANCE at 1.1 $\mu$ m \*



\* Single mode input

\*\* For higher powers please contact Isomet

**ALL SPECIFICATIONS SUBJECT TO CHANGE WITHOUT NOTICE**

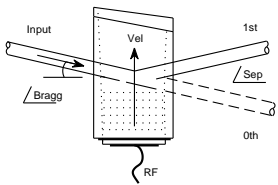
ISOMET CORP, 5263 Port Royal Rd, Springfield, VA 22151, USA.

Tel: (703) 321 8301 Fax: (703) 321 8546

E-mail: [ISOMET@ISOMET.COM](mailto:ISOMET@ISOMET.COM) Web Page: [WWW.ISOMET.COM](http://WWW.ISOMET.COM)

**Quality Assured.**

**In-house: Crystal Growth,  
Optical Polishing,  
A/R coating, Vacuum Bonding**



# D1135-T110L-4

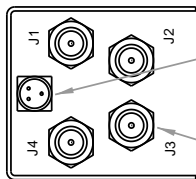
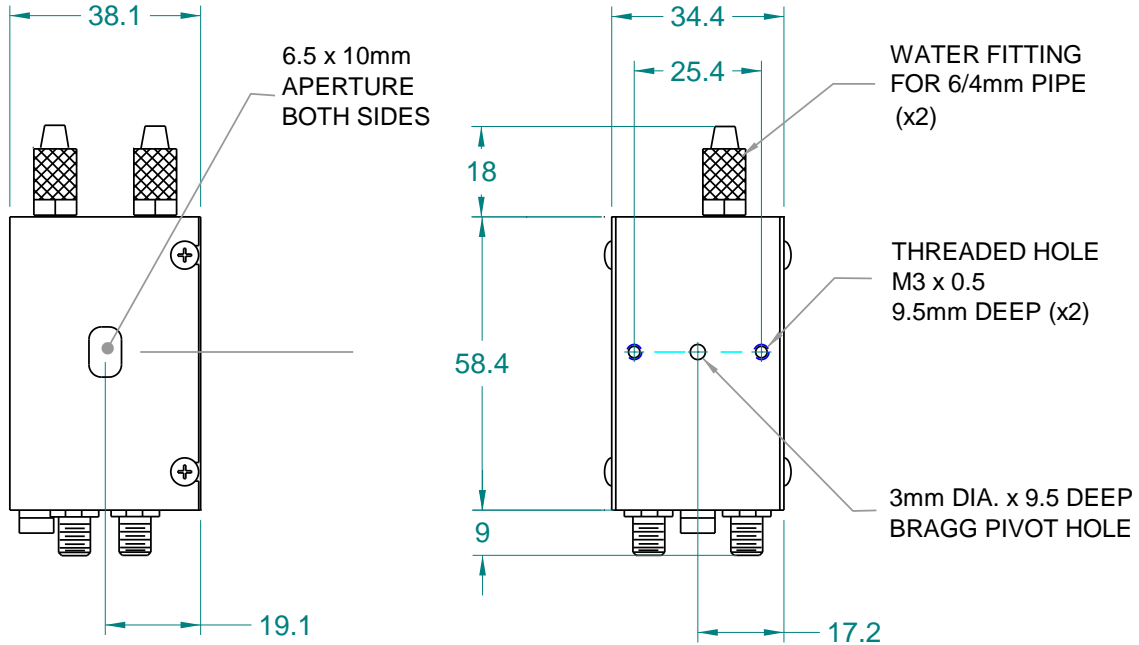
## Acousto-Optic Deflector



0814

### OUTLINE DRAWING

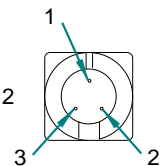
Dimensions: mm



THERMAL INTERLOCK CONNECTOR

RF INPUT SMA (x4)

Interlock Connector: 3-pin Snap  
Normally Closed Contacts : Pins 1 , 2  
Not connected : Pin 3



### Options

-TC Tellurium copper case parts

### Recommended Driver

RFA3110-4

ALL SPECIFICATIONS SUBJECT TO CHANGE WITHOUT NOTICE

ISOMET CORP, 5263 Port Royal Rd, Springfield, VA 22151, USA.

Tel: (703) 321 8301 Fax: (703) 321 8546

E-mail: [ISOMET@ISOMET.COM](mailto:ISOMET@ISOMET.COM) Web Page: [WWW.ISOMET.COM](http://WWW.ISOMET.COM)

Quality Assured.

In-house: Crystal Growth,  
Optical Polishing,  
A/R coating, Vacuum Bonding