

1250-BS-926

NIR Acousto-Optic Deflector



0417

The Model 1250-BS-926 is a high speed deflector for sequential multi-beam or faster scan operation. The unit incorporates four section acoustic beam steering to produce a flat scan response. The 1250-BS-926 may be operated with up to nine watts CW optical power at 1.064 or 1.1 μ m.

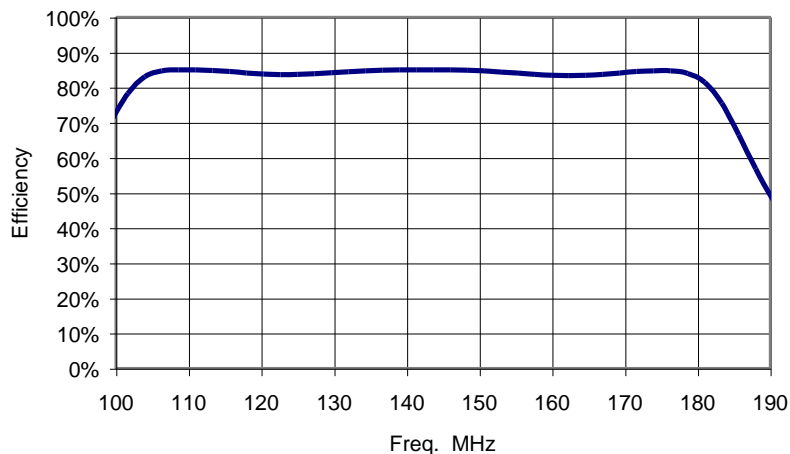
FEATURES

- Flat Scan Response
- 9 Watts Optical Input
- High Speed Deflection (7 μ Sec Scan Rate/Line)

SPECIFICATIONS

| | |
|---------------------------|--------------------------------------|
| Operating Wavelength: | 1.06 μ m / 1.1 μ m |
| Interaction Material | Lead Molybdate (PbMoO ₄) |
| Active Aperture: | 0.525mmH x 3.0mmW |
| Access Time (max): | 0.8 μ sec |
| Bragg Angle (1.1 μ m) | 22 mrad |
| Scan Angle (1.1 μ m) | 21 mrad |
| Optical Power: | 9.0 Watts |
| Centre Frequency: | 145MHz |
| RF Bandwidth: | >70MHz |
| % Diffraction Efficiency: | \geq 80.0% |
| RF Power: | \leq 4.0 Watts |

TYPICAL DIFFRACTION EFFICIENCY VS. FREQUENCY (0.36mm Dia' Beam)



ALL SPECIFICATIONS SUBJECT TO CHANGE WITHOUT NOTICE

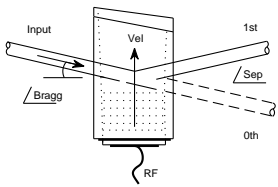
ISOMET CORP, 5263 Port Royal Rd, Springfield, VA 22151, USA.

Tel: (703) 321 8301 Fax: (703) 321 8546

E-mail: ISOMET@ISOMET.COM Web Page: WWW.ISOMET.COM

Quality Assured.

**In-house: Crystal Growth,
Optical Polishing,
A/R coating, Vacuum Bonding**



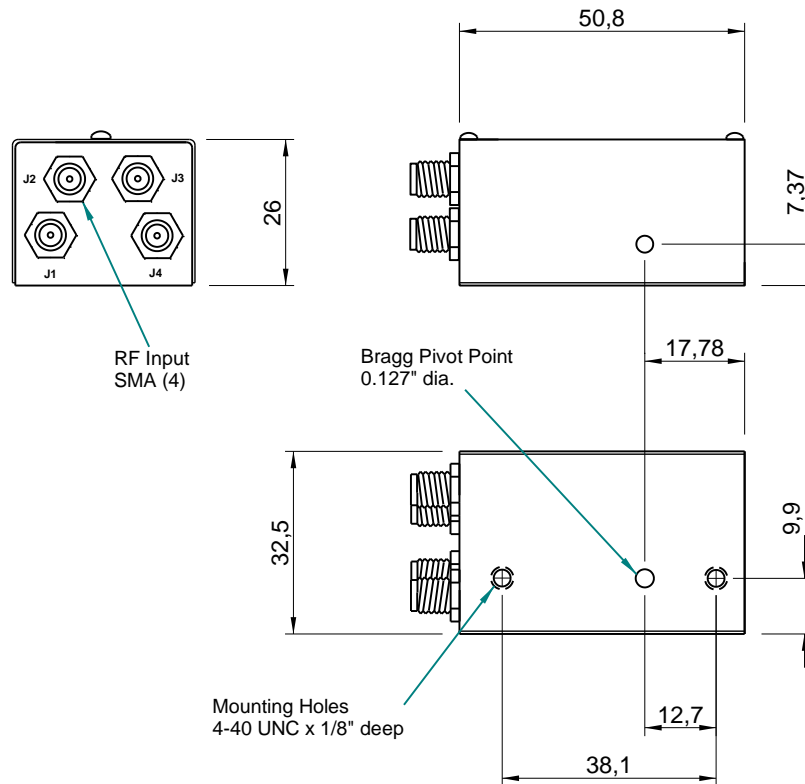
1250-BS-926

NIR Acousto-Optic Deflector



0417

OUTLINE DRAWING



Dim'n: mm except where marked

RF DRIVE ELECTRONICS

VCO driver-amplifier: RFA3145-4

Quad output Synthesizer-Amplifier: iMS4-L (or -P) synthesizer plus iMPA4-1W amplifier

ALL SPECIFICATIONS SUBJECT TO CHANGE WITHOUT NOTICE

ISOMET CORP, 5263 Port Royal Rd, Springfield, VA 22151, USA.

Tel: (703) 321 8301 Fax: (703) 321 8546

E-mail: ISOMET@ISOMET.COM Web Page: WWW.ISOMET.COM

Quality Assured.

In-house: Crystal Growth,
Optical Polishing,
A/R coating, Vacuum Bonding