

**1203-3**

**Acousto-Optic Modulator**



0505

Robust AO Modulator designed for High Power NIR Fibre and DPSS laser applications.

**SPECIFICATIONS**

Spectral Range:	NIR
Operating Wavelength:	1.064-1.1 $\mu$ m (others on request)
Interaction Medium:	Fused Silica
Acoustic Velocity:	5.96mm/ $\mu$ s
Centre Frequency (fc):	60MHz
RF Bandwidth ( $\Delta$ f):	20MHz
Input Impedance:	50 $\Omega$
Input VSWR:	< 1.5:1 at 60MHz
Clear Aperture:	9 mmH x 14 mmL
Active Aperture:	3 mmH x 14 mmL
Optical Insertion Loss:	< 3%
Reflectivity:	< 0.5%/Surface
Laser Polarization:	Vertically Polarized
Water Cooling (minimum):	1litre/minute at < 20°C
Outline Dimensions:	(See reverse)

**TYPICAL PERFORMANCE at 1.064 $\mu$ m**

Optical Power (Maximum):	200 Watts	
Input beam diameter :	1.6mm	3mm
Optical access time :	0.17 $\mu$ s	0.33 $\mu$ s
Diffraction Efficiency:	> 85% *	> 85% *
Optical Power:	200 Watts	200 Watts
RF Power:	33 Watts nominal	
Bragg Angle:	5.4 mrad	
Separation Angle at fc :	10.7 mrad	

\* Single mode input

**ALL SPECIFICATIONS SUBJECT TO CHANGE WITHOUT NOTICE**

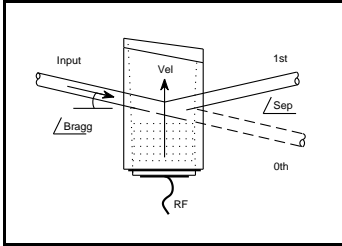
ISOMET CORP, 5263 Port Royal Rd, Springfield, VA 22151, USA.

Tel: (703) 321 8301 Fax: (703) 321 8546

E-mail: [ISOMET@ISOMET.COM](mailto:ISOMET@ISOMET.COM) Web Page: [WWW.ISOMET.COM](http://WWW.ISOMET.COM)

**Quality Assured.**

**In-house: Crystal Growth,  
Optical Polishing,  
A/R coating, Vacuum Bonding**



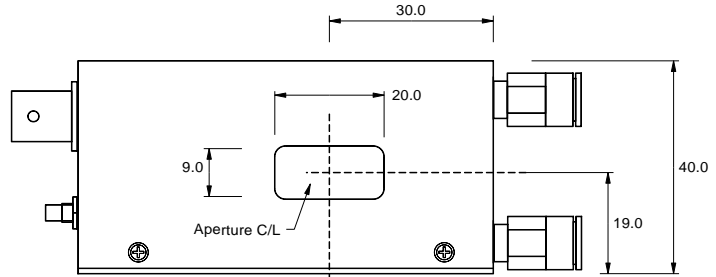
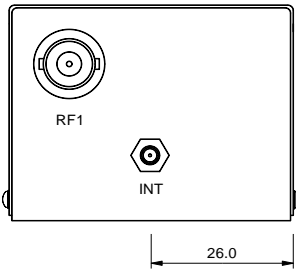
# 1203-3 Acousto-Optic Modulator



0505

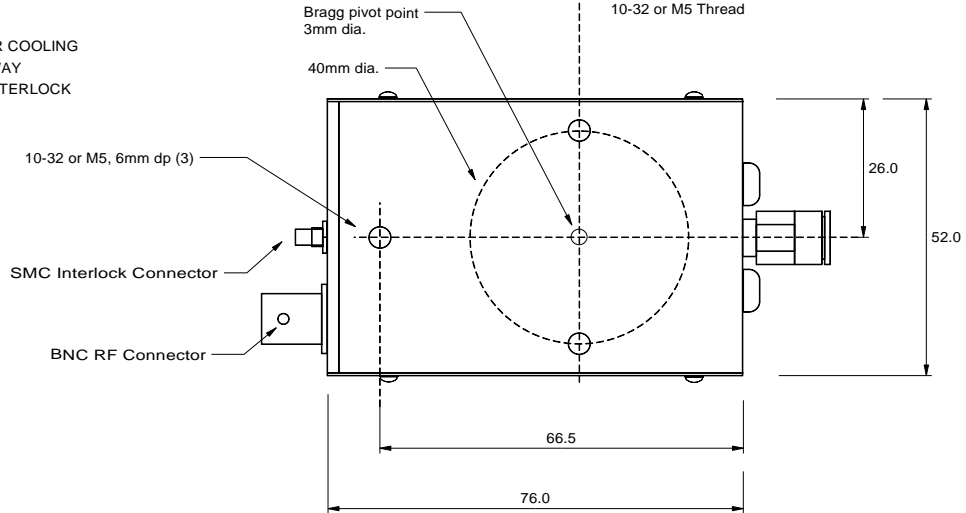
## OUTLINE DRAWING

Dim'n: mm  
1 inch = 25.4mm



THIS DEVICE REQUIRES WATER COOLING TO PREVENT THERMAL RUNAWAY THE INTEGRAL NC THERMAL INTERLOCK SWITCH OPENS AT 32 degC

THE WATER COOLED CASE PARTS ARE ALUMINIUM IT IS RECOMMENDED THAT A CORROSION INHIBITOR SUCH AS 'COPAL' BY FERNOX IS ADDED TO THE COOLING SYSTEM



## Recommended Driver

Modulator Driver/Amplifier

RFA261

ALL SPECIFICATIONS SUBJECT TO CHANGE WITHOUT NOTICE

ISOMET CORP, 5263 Port Royal Rd, Springfield, VA 22151, USA.

Tel: (703) 321 8301 Fax: (703) 321 8546

E-mail: [ISOMET@ISOMET.COM](mailto:ISOMET@ISOMET.COM) Web Page: [WWW.ISOMET.COM](http://WWW.ISOMET.COM)

Quality Assured.

In-house: Crystal Growth,  
Optical Polishing,  
A/R coating, Vacuum Bonding